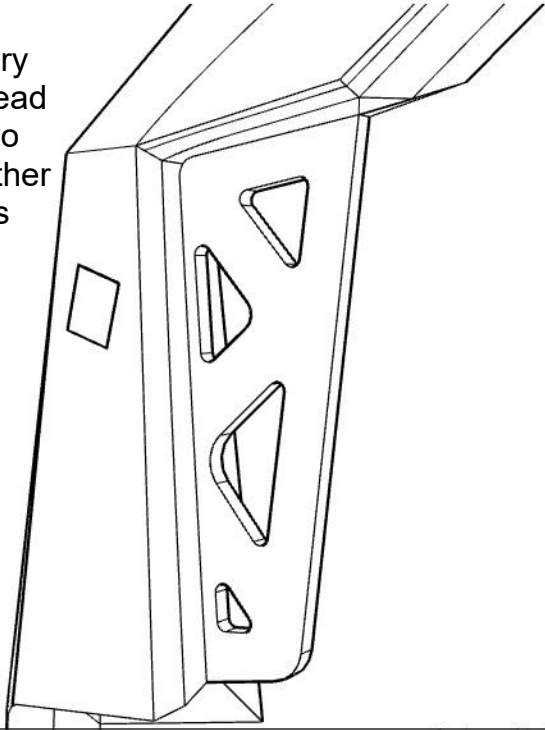
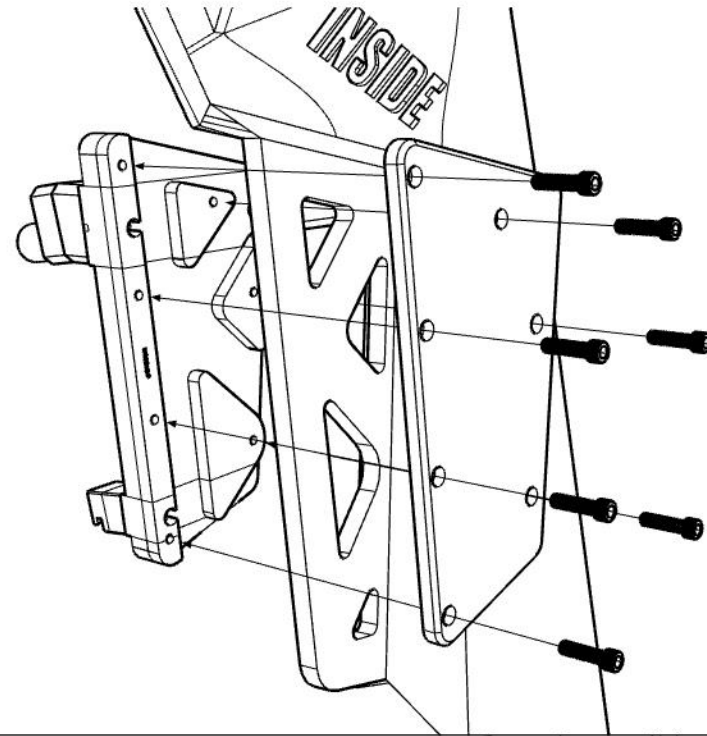


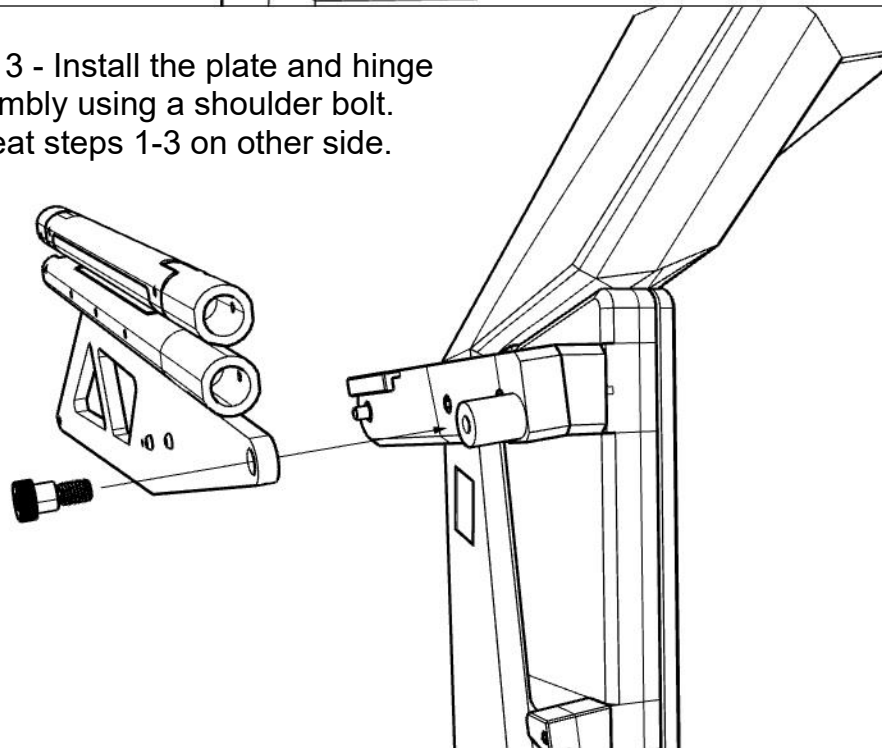
Step 1 - Remove decorative upholstery panel using a flat head screwdriver. The two sides are held together with upholstery clips and will snap (not break) off.



Step 2 - The outer mounting bracket will set/fit into the cutouts of that 5/8" plate on the back of the tower. Use the 5/16x1.5 SHB to fasten all together. This view is from inside the boat.



Step 3 - Install the plate and hinge assembly using a shoulder bolt. Repeat steps 1-3 on other side.



Step 4 - Install the frame by inserting the frame into the tube assembly. Make sure it is completely installed for proper fit of the canvas. The frame will bottom out at 2.25" deep.

