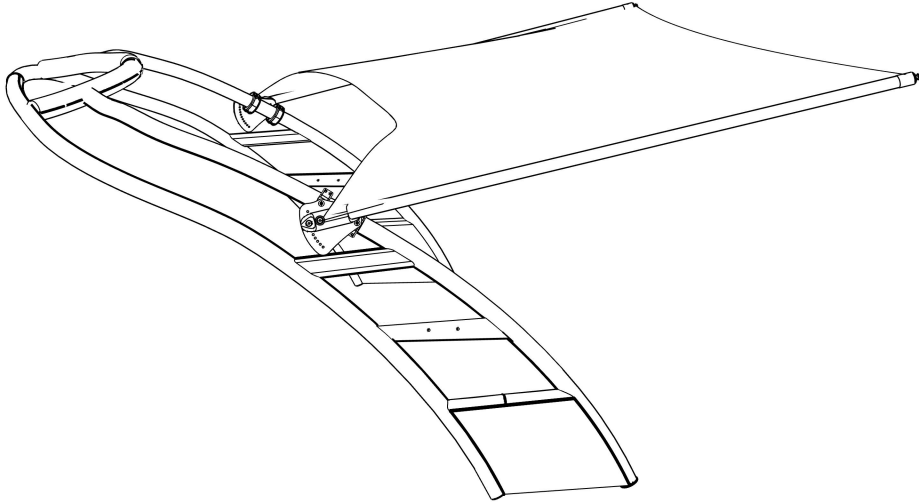
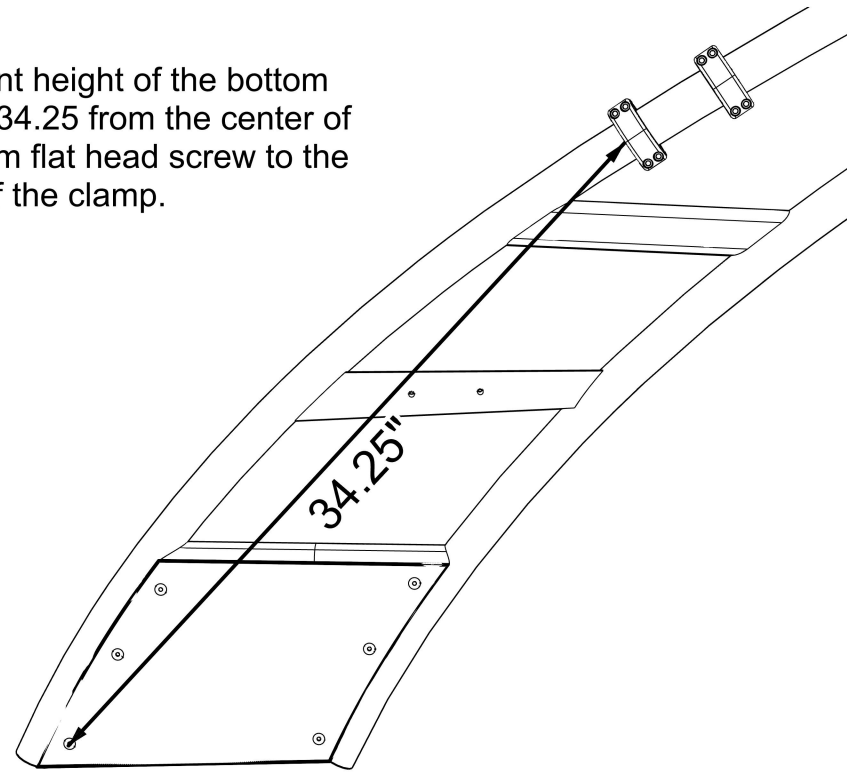


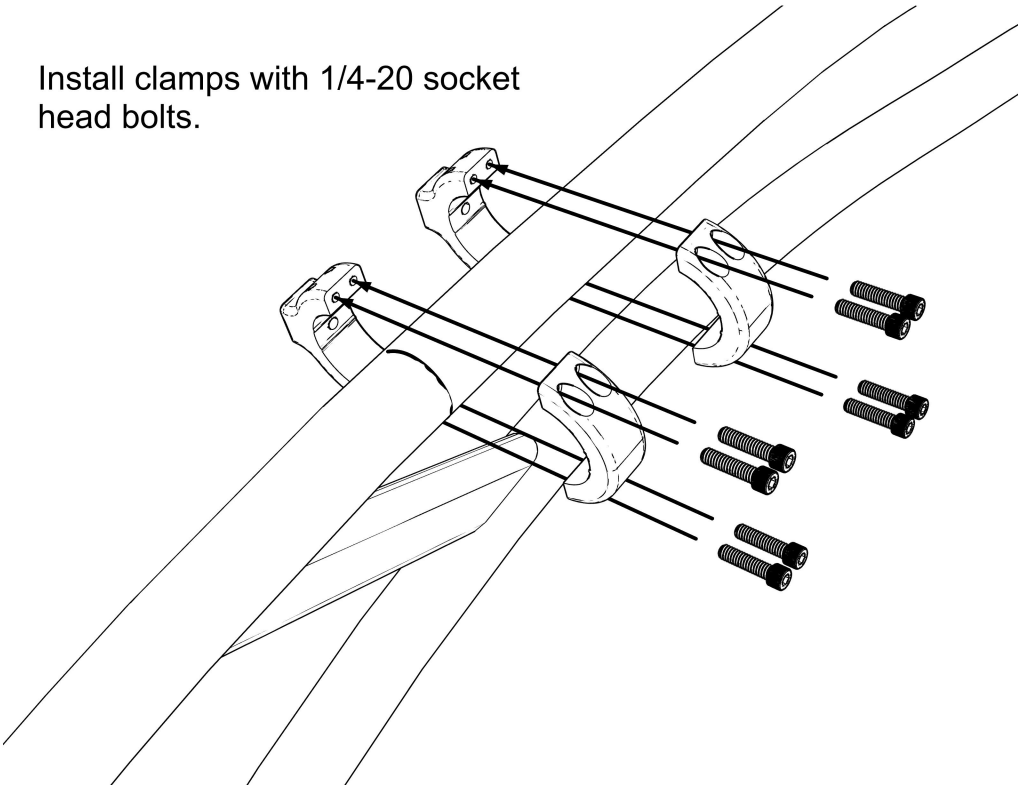
# Chaparral - Velocity Arch Tower Tower Clamp Shade Sail Install



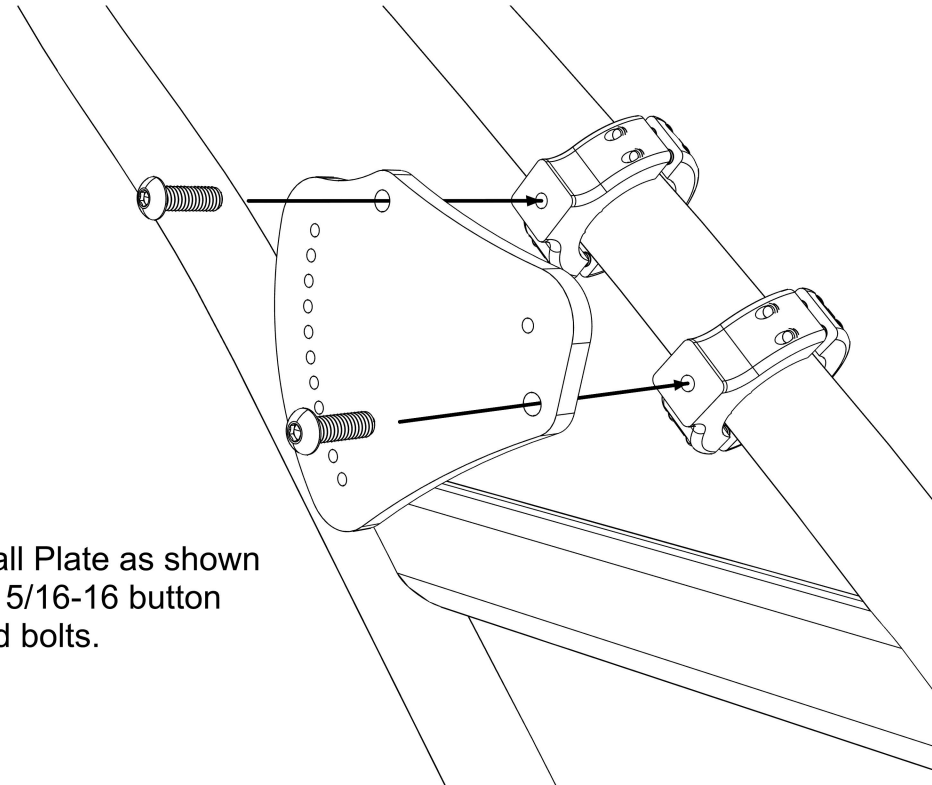
The mount height of the bottom clamp is 34.25 from the center of the bottom flat head screw to the bottom of the clamp.

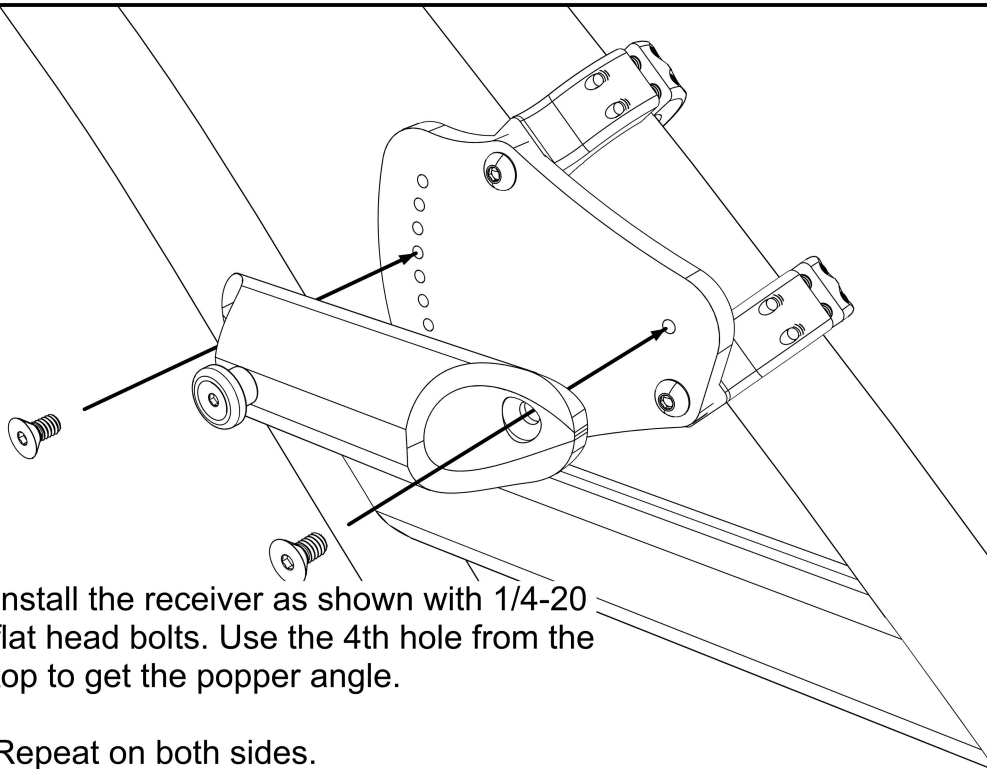


Install clamps with 1/4-20 socket head bolts.



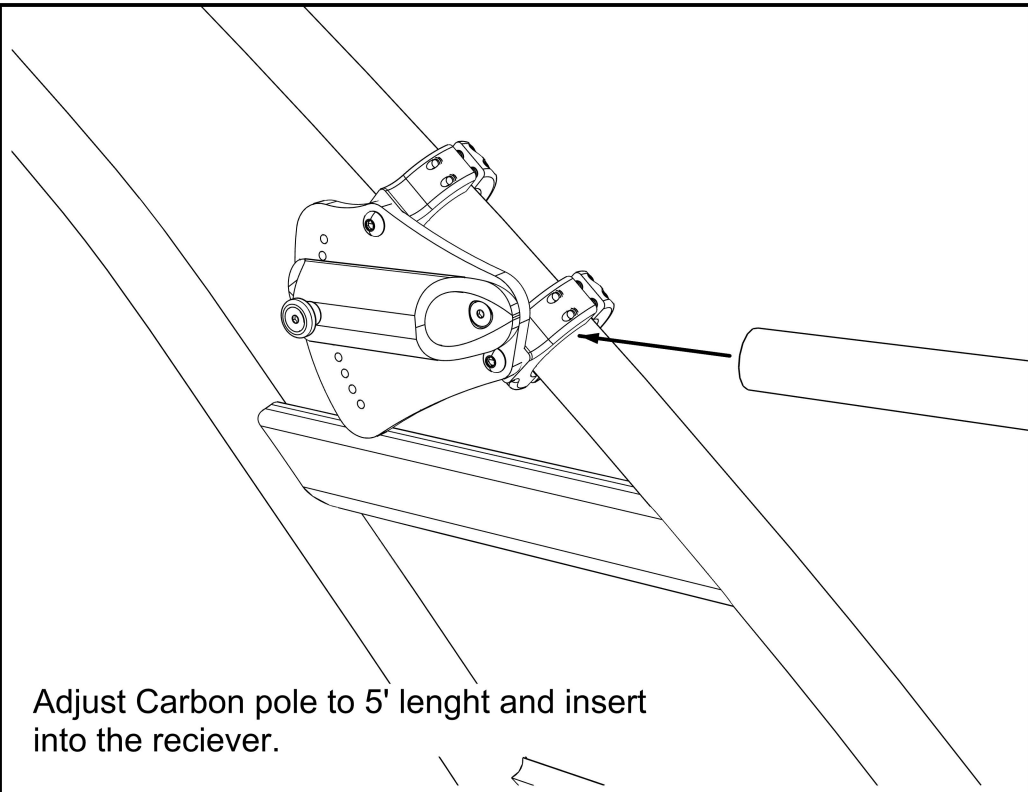
Install Plate as shown with 5/16-16 button head bolts.



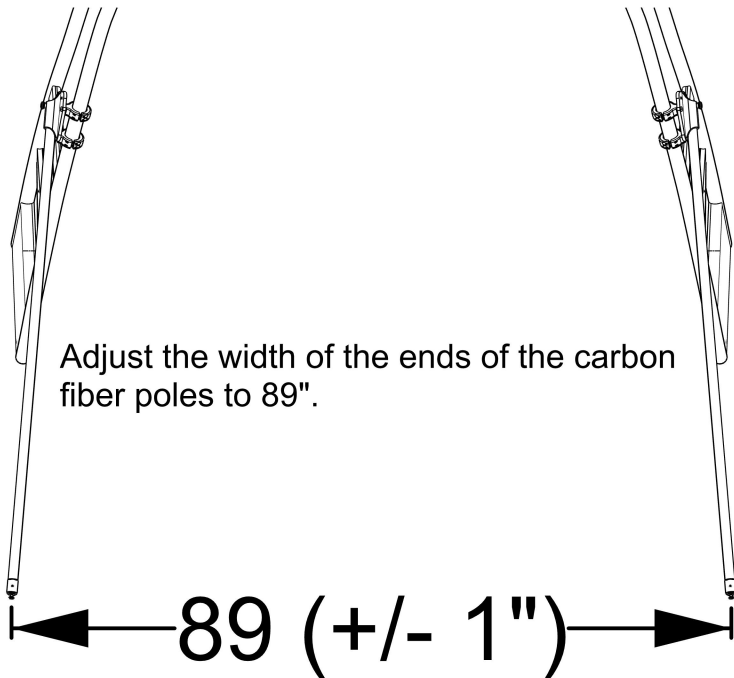


Install the receiver as shown with 1/4-20 flat head bolts. Use the 4th hole from the top to get the popper angle.

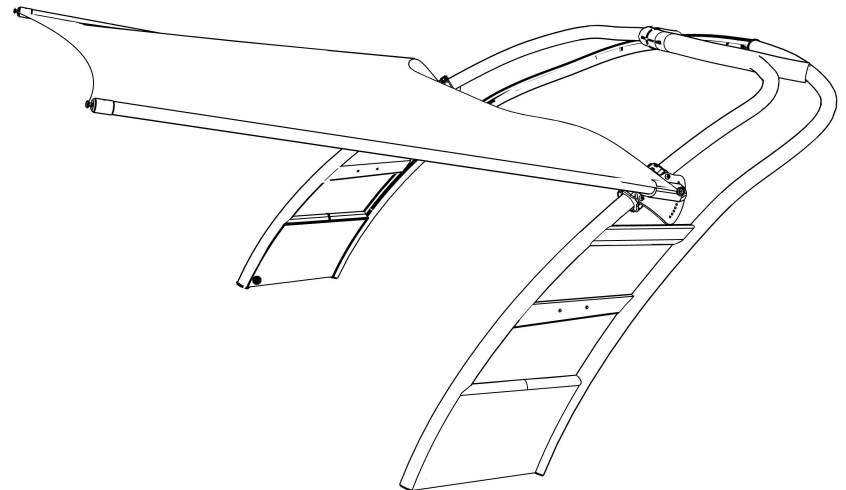
Repeat on both sides.



Adjust Carbon pole to 5' length and insert into the receiver.



Adjust the width of the ends of the carbon fiber poles to 89".



 **SEWLONG**.com  
801-262-4017 | covers@SewLong.com  
3555 s Main St. SLC, UT 84115