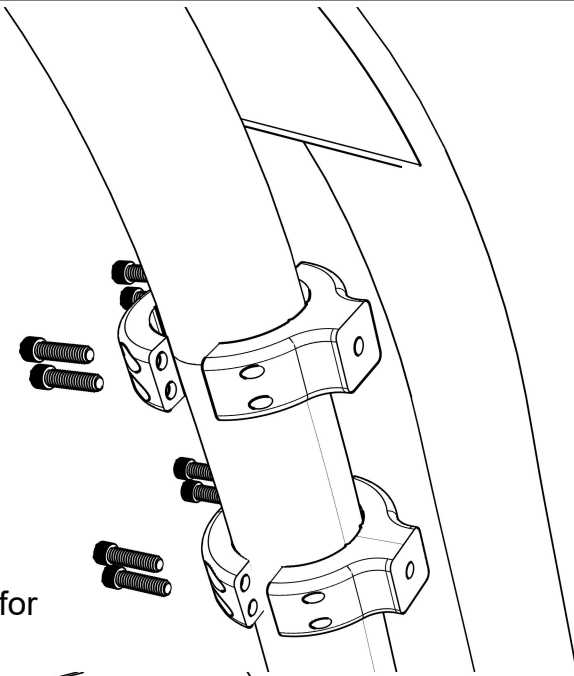


SewLong Tower Clamp Shade Sail Nautique GS Tower

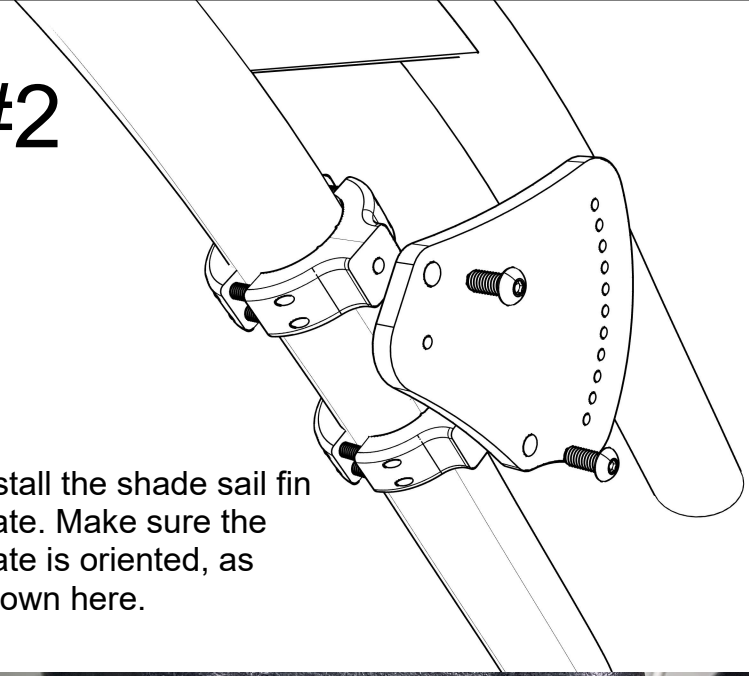
#1

Install Clamp on the AFT Bar of tower about 3" down from plate. Make Port & STBD the same. Leave slightly loose for future adjustment.



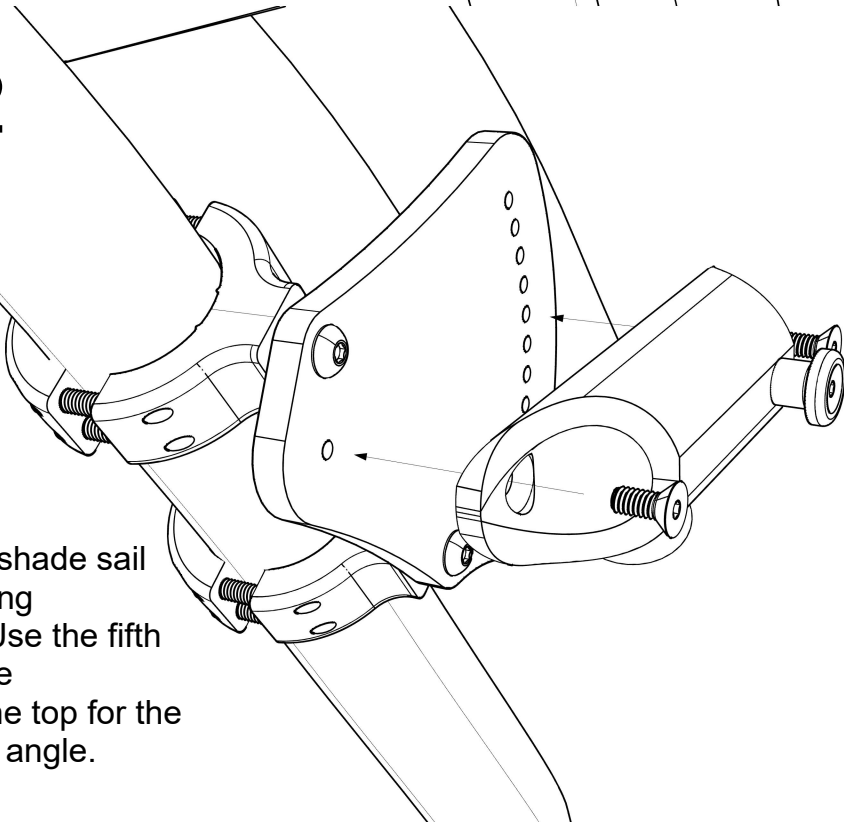
#2

Install the shade sail fin plate. Make sure the plate is oriented, as shown here.



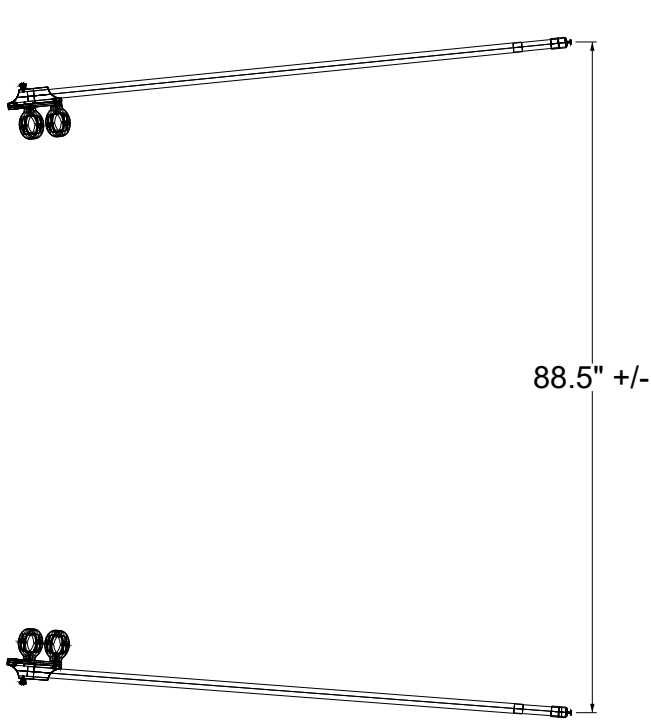
#2

Install shade sail receiving tube. Use the fifth (5) hole from the top for the proper angle.

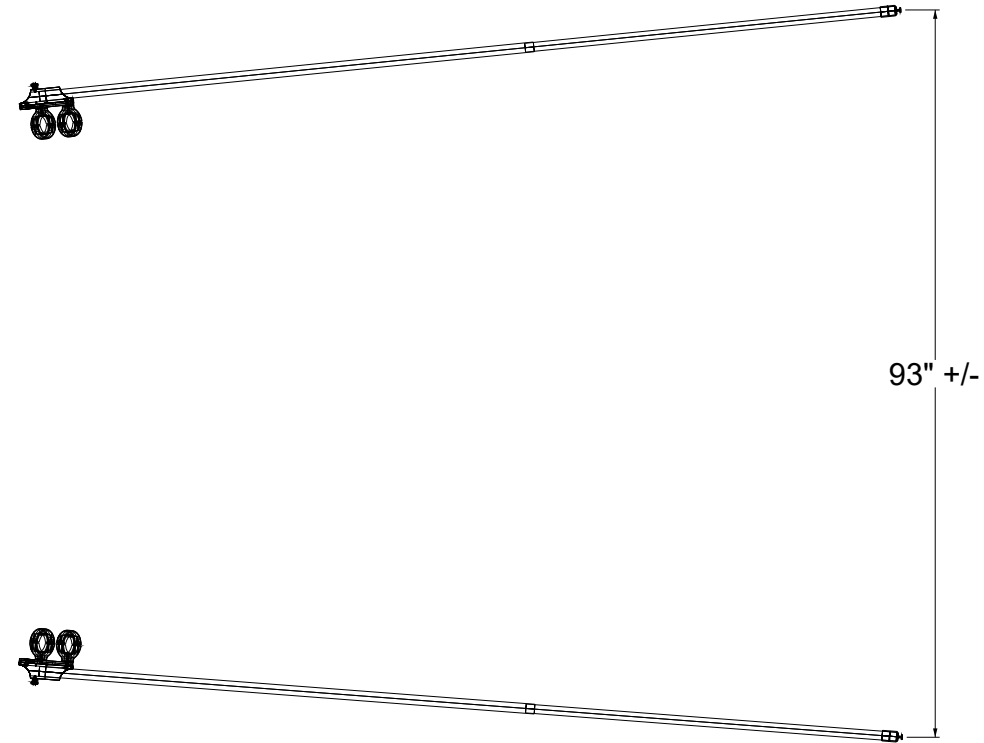


#4 Adjust The Angle/Width Of The Shade Sail

Once clamps are loosely in place, adjust the width by inserting the carbon pole (fully extended) and rotating the hardware to get the poles' end's correct width.



5' Poles



8' Poles

Tighten all bolts and verify that they are tight before each use. If you have any questions, please feel free to call, text, or email.



Sewlong | Custom Covers
801-262-4017 - Text & Call
covers@sewlong.com