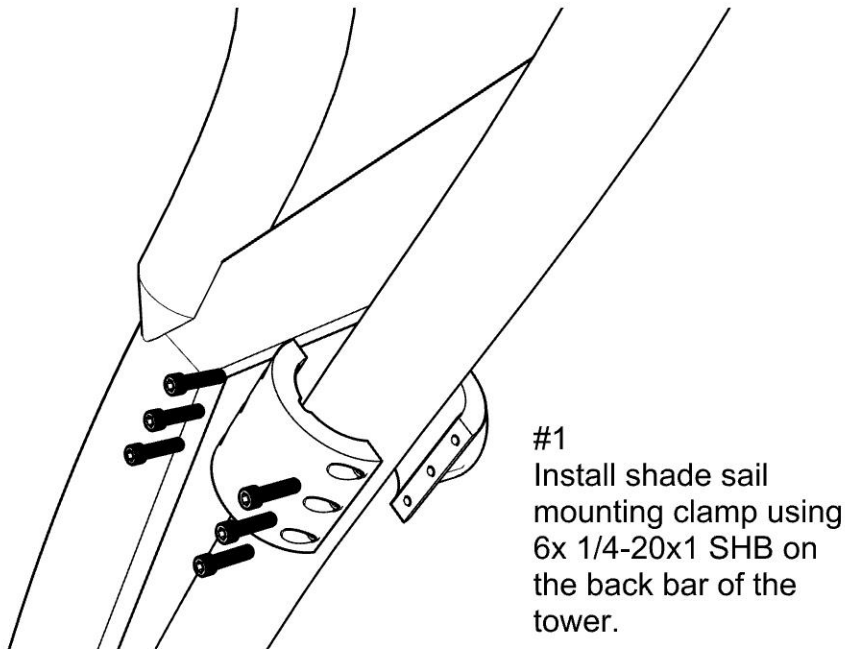
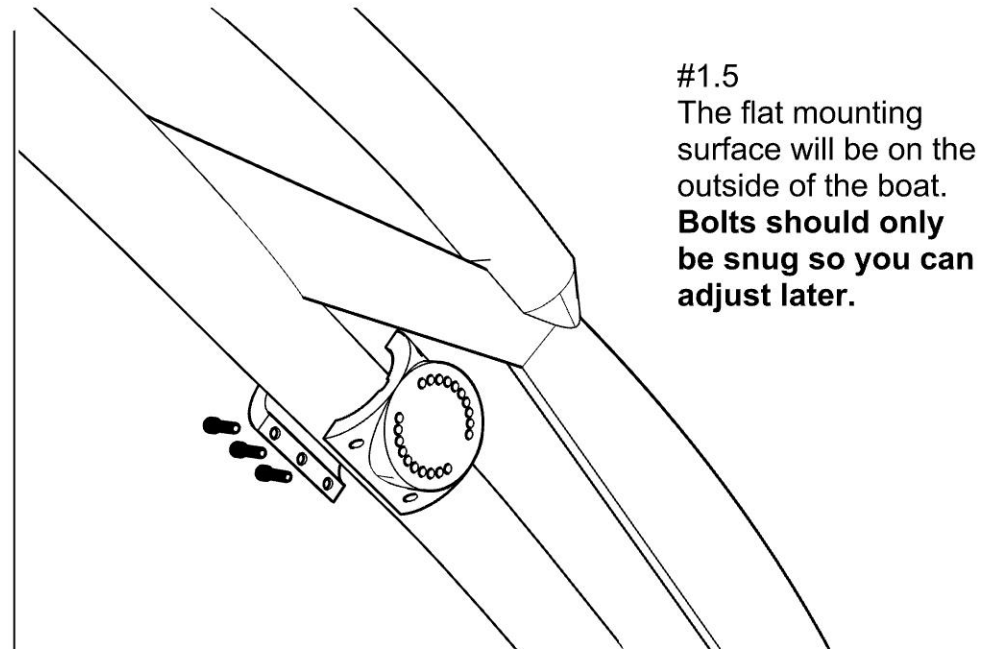


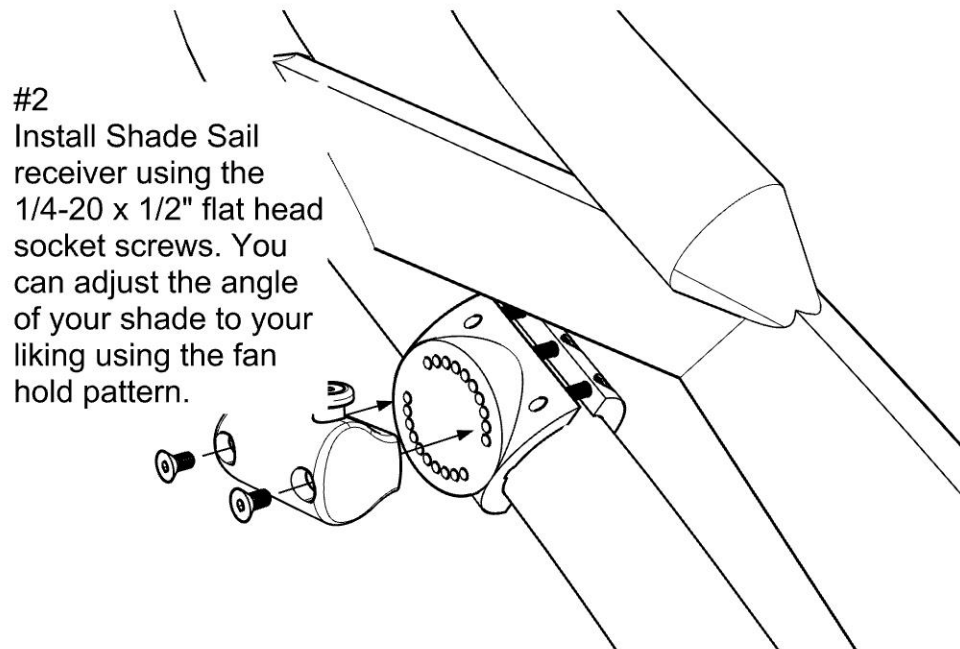
Inside View STBD



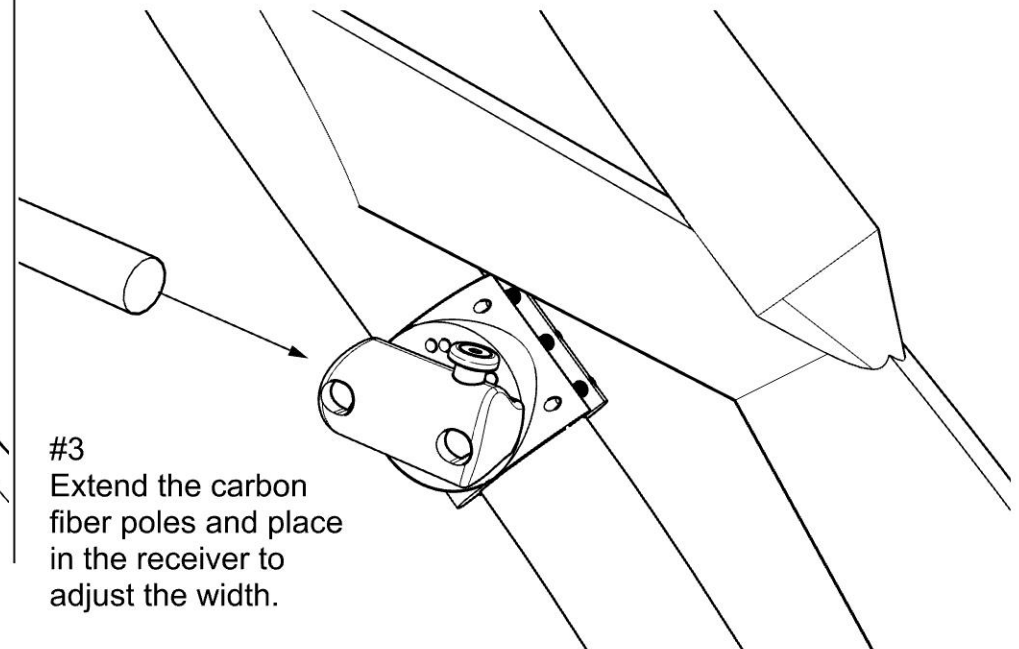
Outside View STBD



Outside View STBD



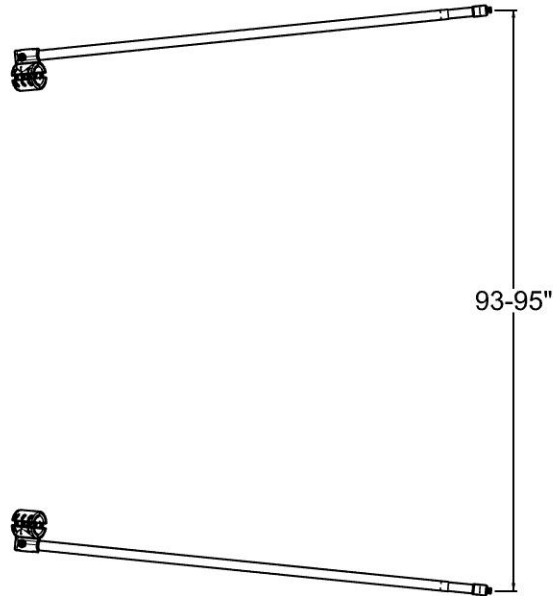
Outside View STBD



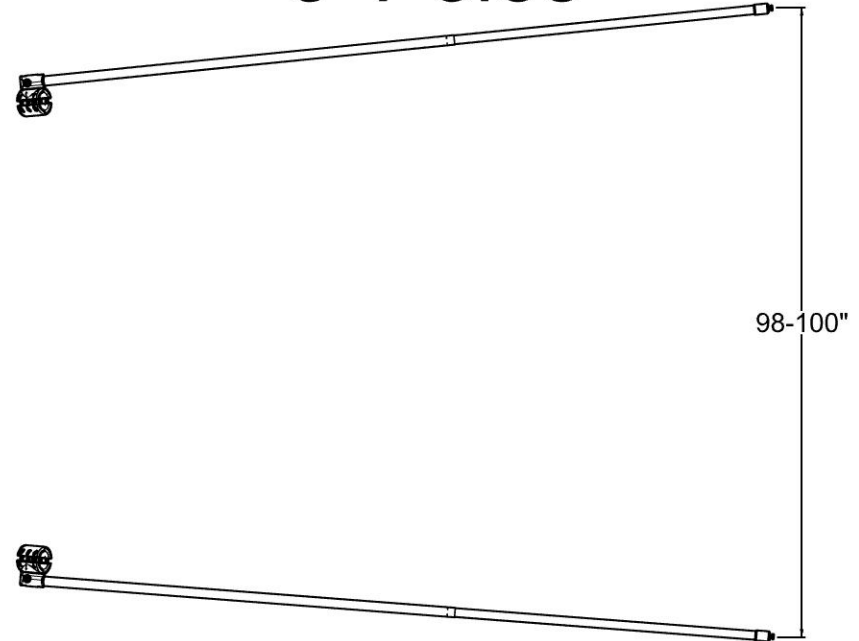
#4 Adjust The Width Of The Shade Sail

Once clamps are loosely in place, adjust the width by inserting the carbon pole (fully extended) and rotating the hardware to get the poles' end's to the correct width.
Tighten all bolts and verify that they are tight before each use.

5' Poles






8' Poles



Carbon fiber poles are held into place by the tension of the canvas.

Do not leave poles in receiver without the canvas.

If you have any questions, please feel free to call, text, or email.

 Sewlong | Custom Covers
 801-262-4017 - Text & Call
 covers@sewlong.com