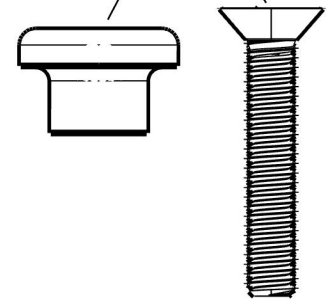
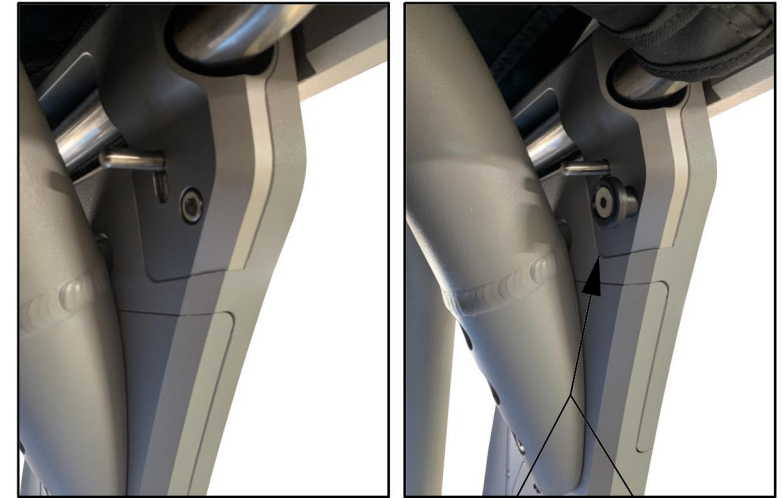
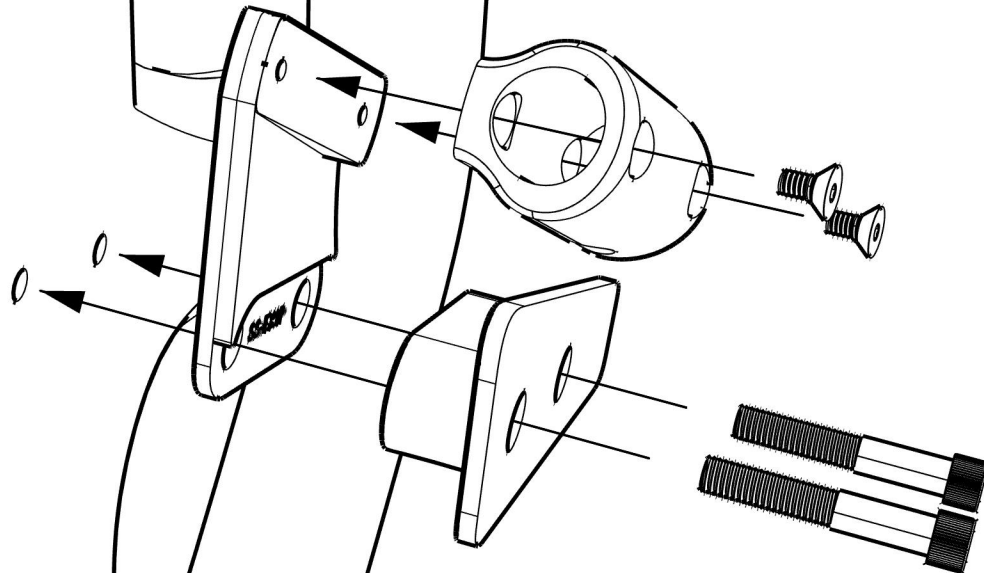


SSK-FX1TM

(Shade Sail Kit - FX1 Tow Mount)

Port Side



- Remove the side tower tow points using a 5/16 hex wrench.
- Apply a small amount of thread locker to the bolts.
- Reinstall the tow point with the Shade Sail FX1 Mount plate (P or S) between the tower and the tow point. Use the new 3/8-16 x 2.3/8" socket head bolt to secure the tower.
- Use the 1/4-20 c 1/2" flat head bolts to mount the Shade Sail Receiver to the mounting plate. Install the D-Ring knob, as shown in the photos above.

SEWLONG^{CO}

3555 s Main st 801-262-4017
SLC, UT 84115 covers@sewlong.com