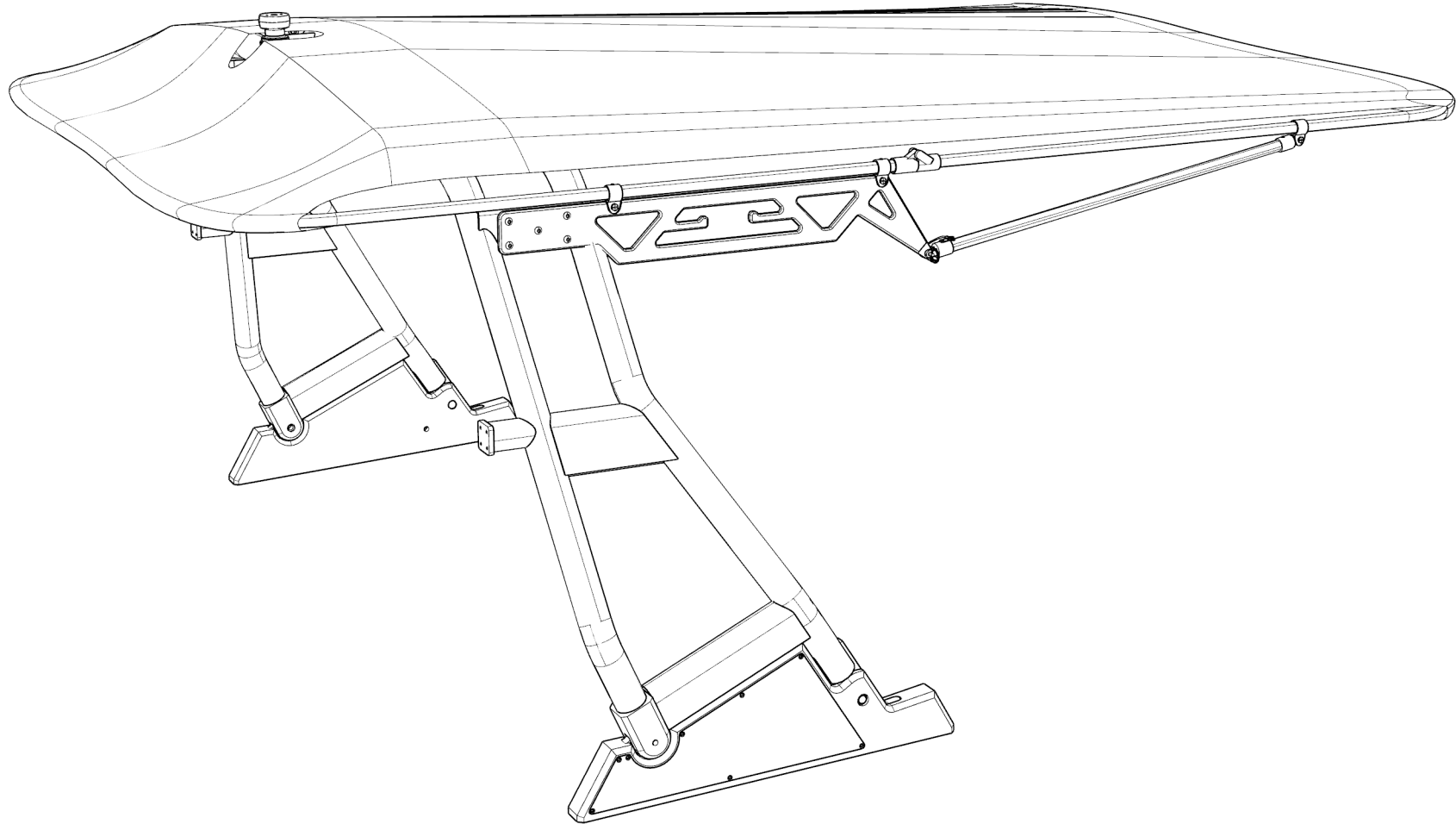


SST Tower (P-1233-BS)

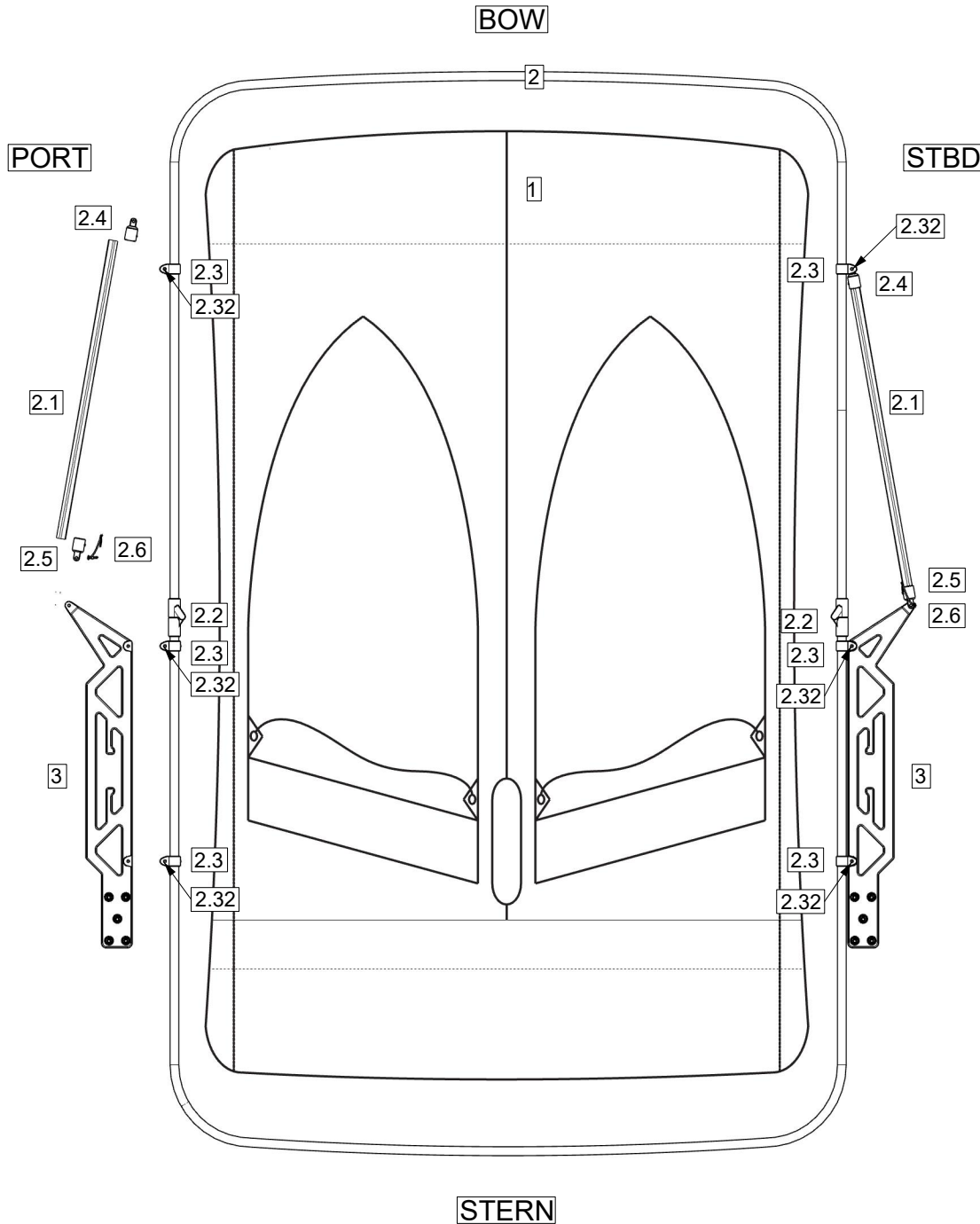
Parts List



Tighten all bolts and verify that they are tight before each use. If you have any questions, please feel free to call, text, or email.

(801)-262-4017 - Text & Call

covers@sewlong.com



#	Description	Part No.	Kit Qty	Part Qty
1	Canvas	1233-BS	1	
2	Frame	1233-F	2	
	2.1 Strut - SS Tube 7/8" x ()			2
	2.2 Hinge-SS (Stainless-7/8")	284265		2
	2.3 Jaw Slide (0-7/8" Standard Stainless)	282135		6
	2.31 Hex Drive Cup Point Socket Set Screw (1/4"-20 x 3/8")			4
	2.32 Pan Headed Slotted Screw (1/4-20 x 3/4")			6
	2.4 Regular Eye End (0-7/8" Outside SS Top Cap)	282172		2
	2.5 Double Eye End (0-7/8" Outside SS Top Cap - Sewlong Double)			2
	2.51 SS Rivet No6-4	POPK\$\$64		10
	2.6 1/4"x1.5 grab 303 Stainless w/ Lanyard			2
3	SST Bracket	SST22 Bracket v2	2	
4	SST Bolt Kit		1	
	4.1 3/8" button-head hex screw (1-1/4" long)			10
	4.2 3/8" Washer	FW\$\$138		10
	4.3 3/8" Nylon-Insert Locknut	NY\$\$138		10

