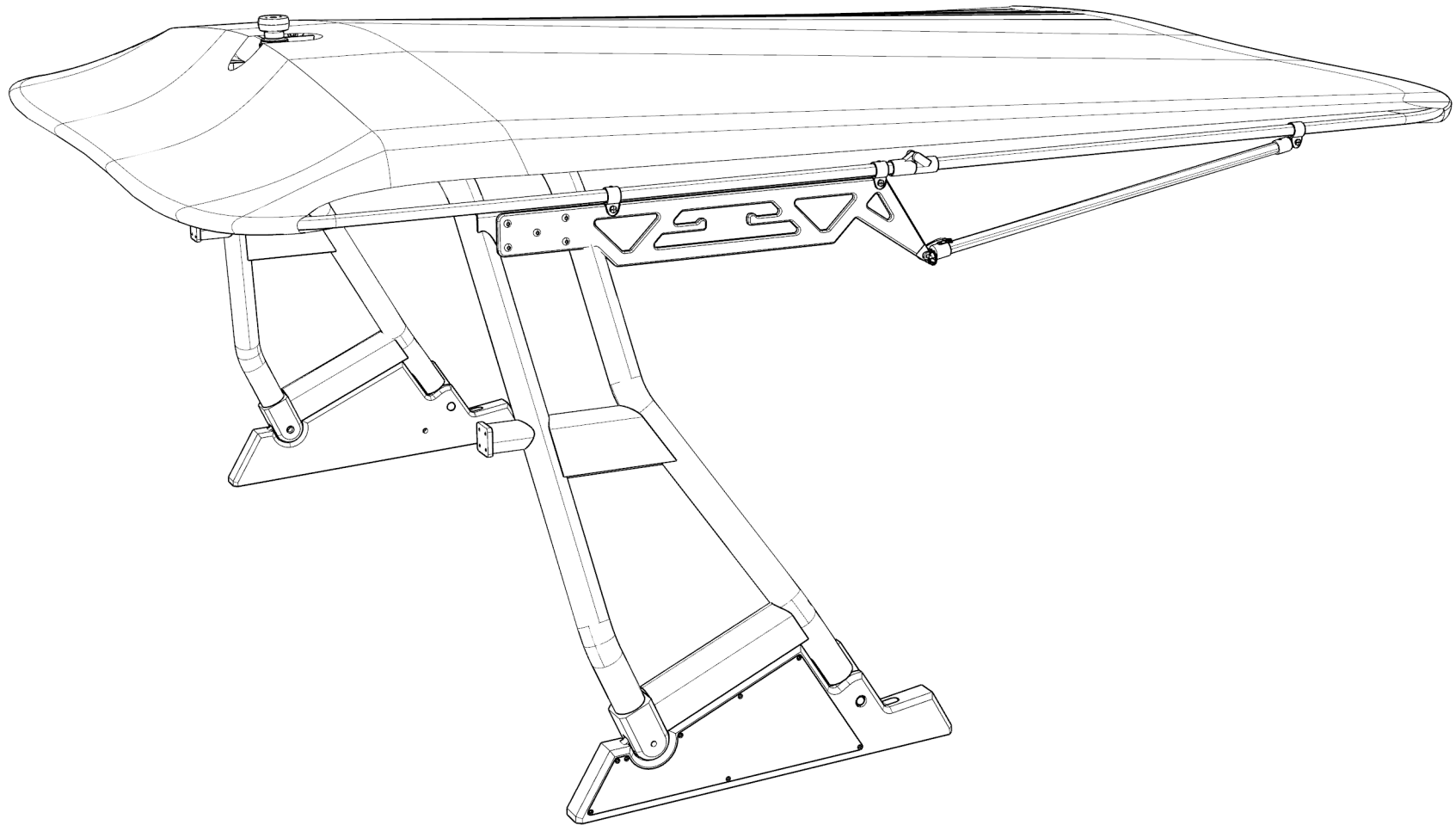


SST Tower (P-1233-BS) Folding Canopy Top Installation



Tighten all bolts and verify that they are tight before each use. If you have any questions, please feel free to call, text, or email.

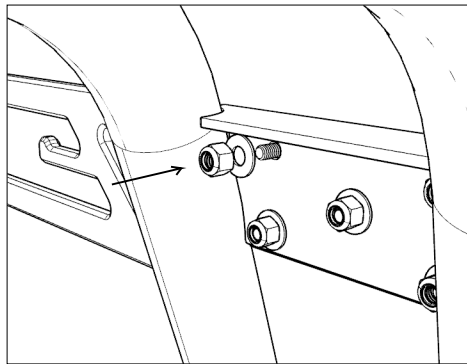
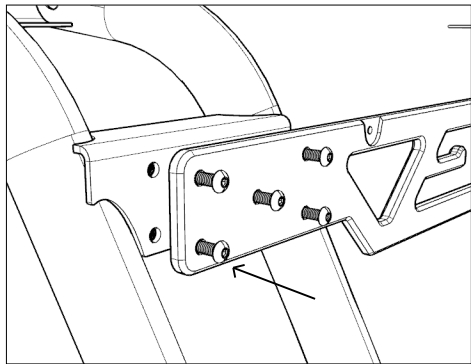
(801)-262-4017 - Text & Call

covers@sewlong.com

1

Install Brackets:

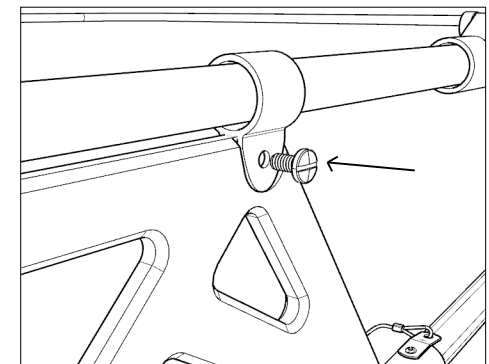
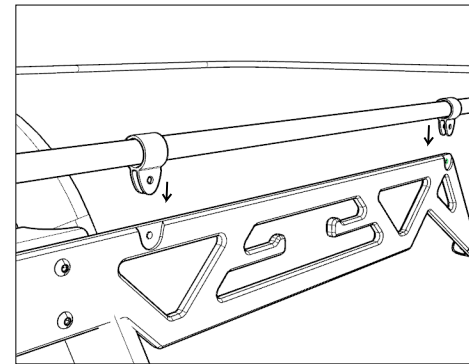
Bolt brackets to tower and fasten with washer and locknut.



2

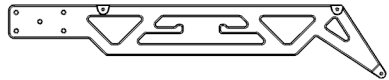
Install Frame:

Attach frame to bracket with jaw slides and secure with screw.



1 Parts:

(2) Bracket



(10) 3/8" button-head hex screw
(1-1/4" long)



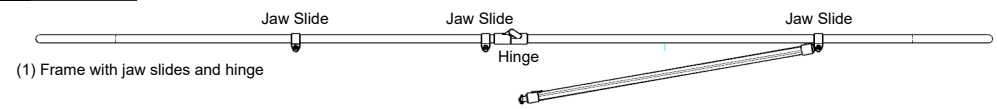
(10) 3/8" washer



(10) Nylon-insert locknut



2 Parts:



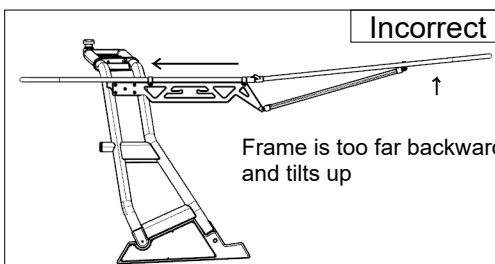
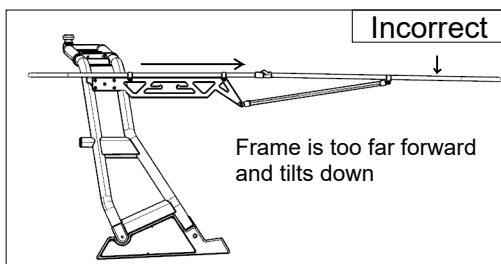
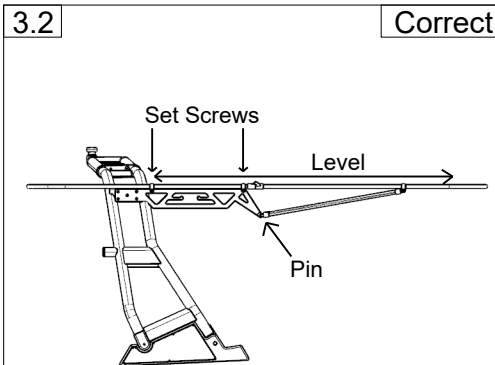
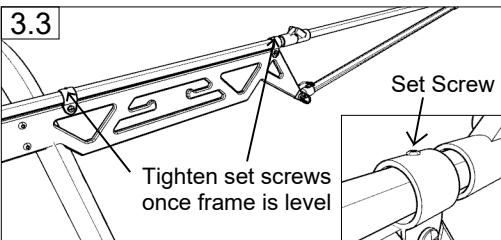
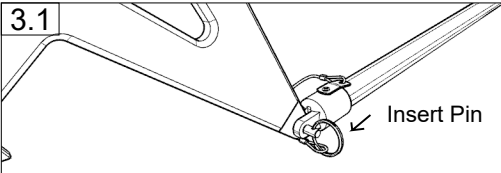
(4) Pan head slotted screw
(1/2" long)



3

Adjust Frame:

Insert the pin into the bracket, and move the frame forwards/backwards until it is level to the ground. Once the frame is level, tighten the set screws to hold the frame in place.



4

Install Canvas:

Remove pin and fold frame towards the back of the boat. Fit the canvas around the ends of the frame and secure them with the zipper. Once the canvas is attached to the frame, rotate the frame forward and secure in place with the pin.

