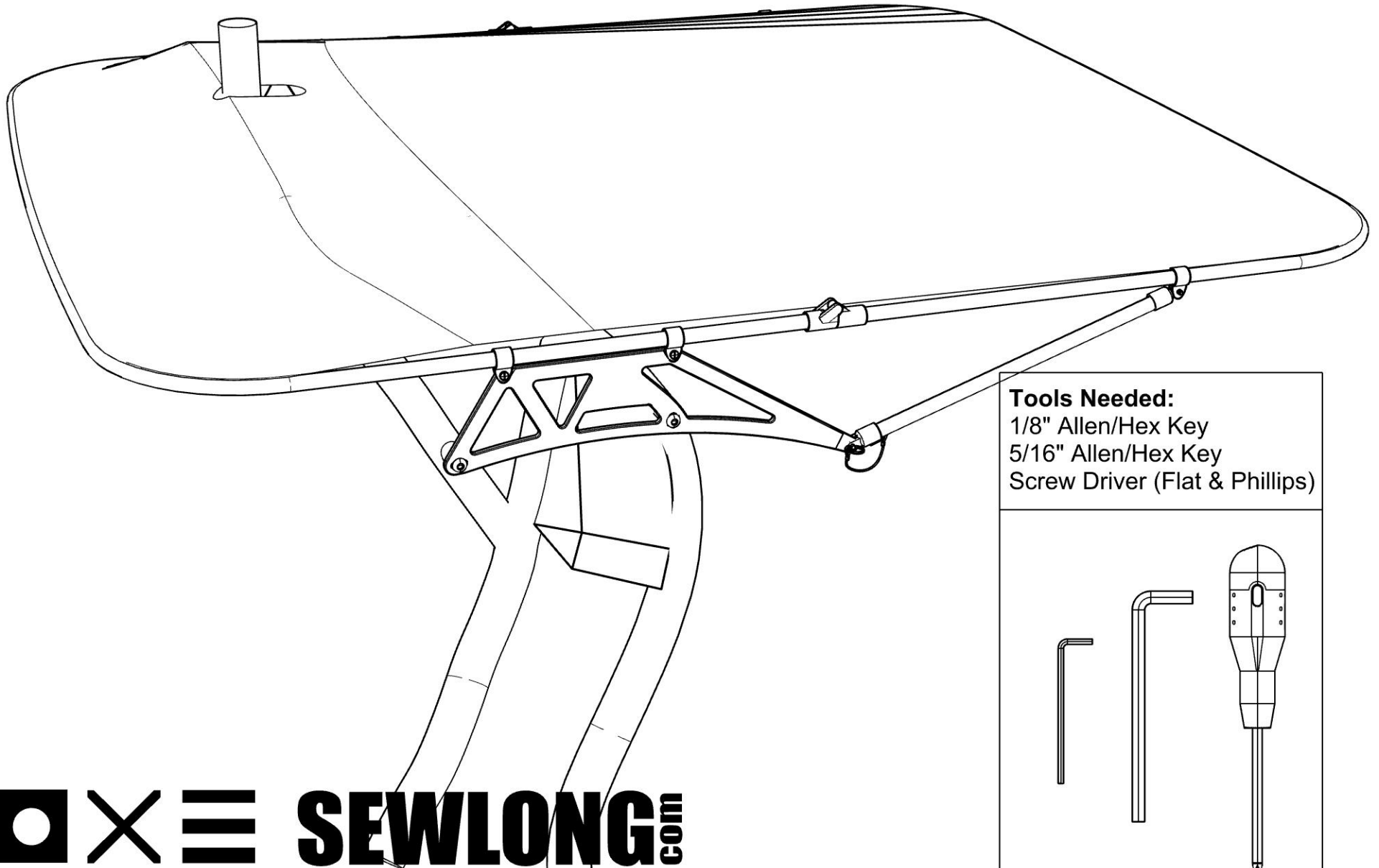
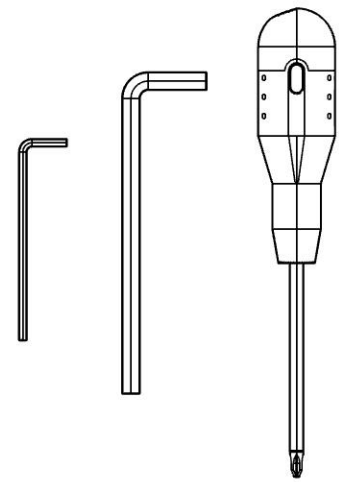


# FCT Installation on Pro Edge Tower

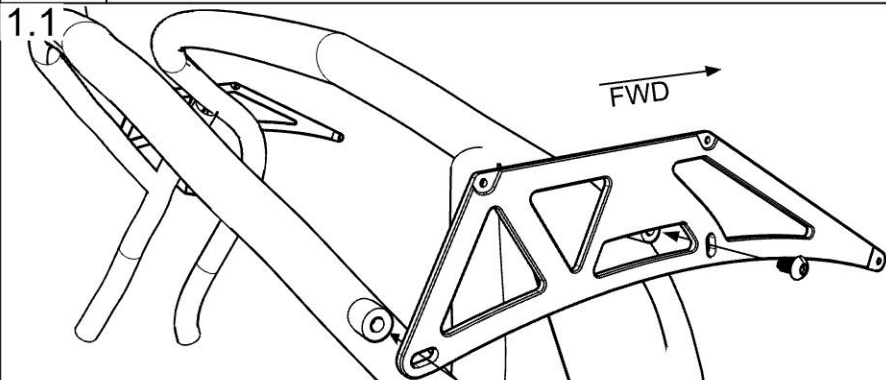


**Tools Needed:**  
1/8" Allen/Hex Key  
5/16" Allen/Hex Key  
Screw Driver (Flat & Phillips)

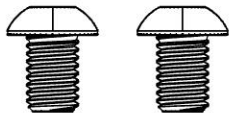


# 1 Install Bracket:

Align holes on the bracket with mounting nubs on the tower. Loosely fasten the bracket to the tower with bolts. Adjust the bracket so that the top sits level with the boat. Tighten bolts.



## 1 Parts:



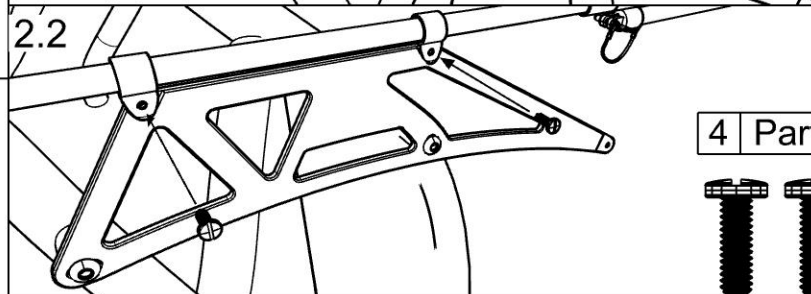
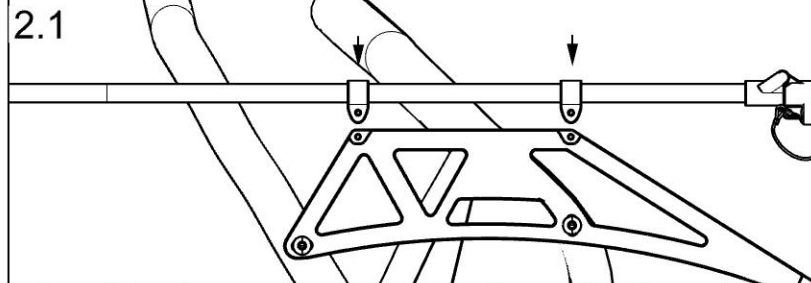
(2) Socket Button Head Bolt 1/2-13 x 3/4"



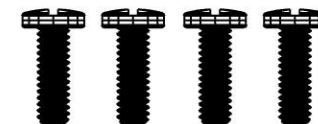
(2) FCTv2 Pro Edge Tower Bracket

# 2 Attach Frame to Brackets:

On the back half of the frame, loosen the jaw slides by slightly untightening the four hex head set screws. Remove the flathead/phillips 1/4-20 screws from the jaw slides. Place the jaw slides into the indentations on the bracket. (2.1) Place the screws 1/4-20 screws back through the jaw slide and screw them into place. (2.2)

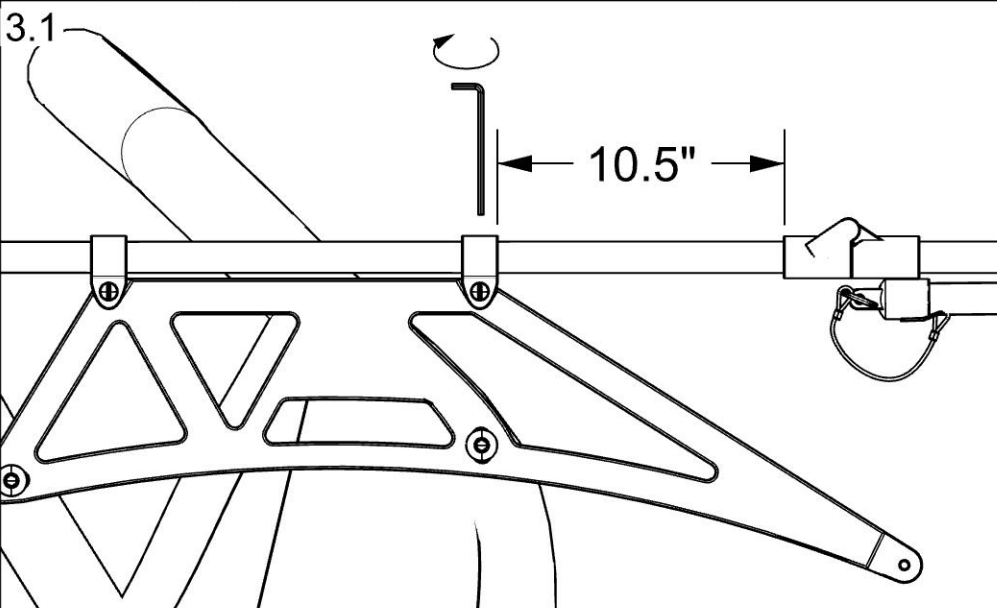


## 4 Parts:



# 3 Set Hinge Gap:

Adjust the gap between the hinge and the jaw slide to 10.5" and tighten the four hex head set screws (on the jaw slides) to keep it in place. Fold the frame back on top of itself in preparation for the canvas.



# 4 Install Canvas:

Fit the canvas around the edge of the frame and zip it into place. (4.1) Once the canvas is secured, rotate the frame forward into the extended position. Secure the strut to the brace with the pull pin. (4.2) Straighten and level the frame side to side. (4.3) Secure the hex head set screws in the strut jaw slide. (4.4)

