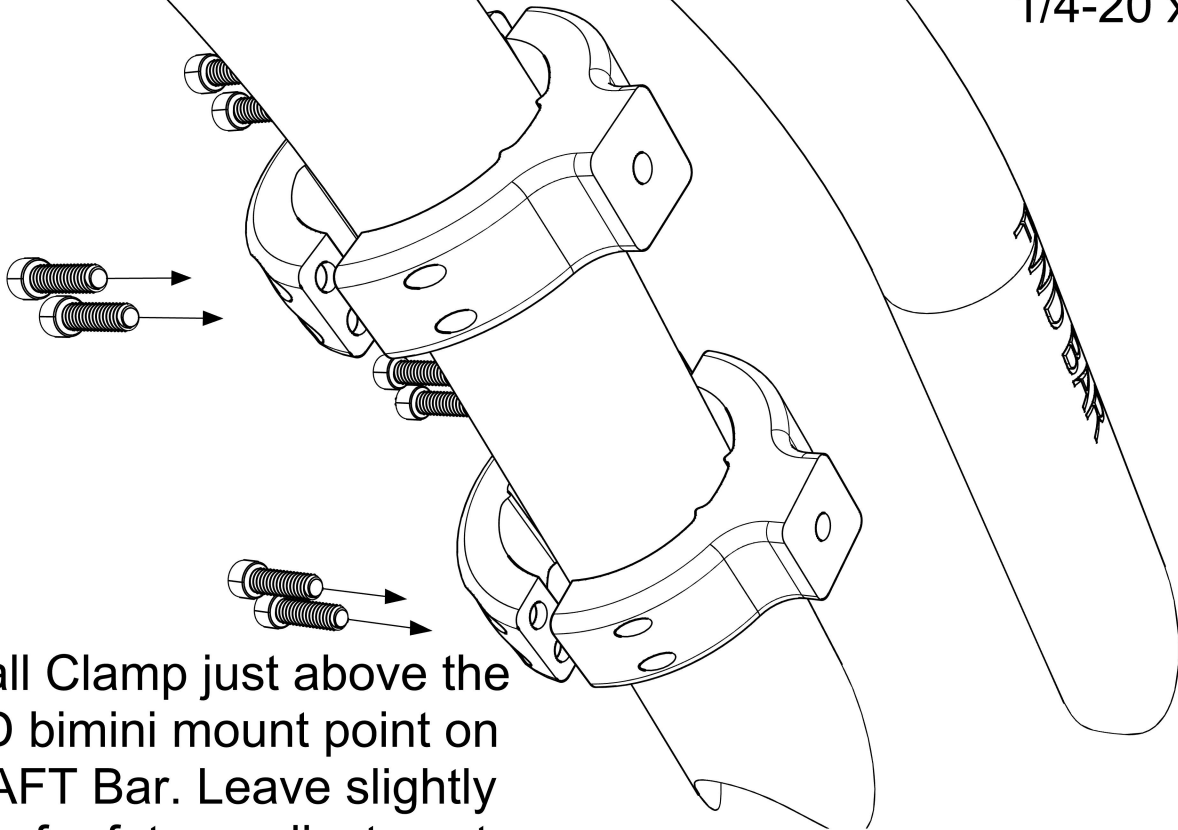
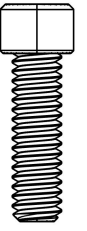


# #1

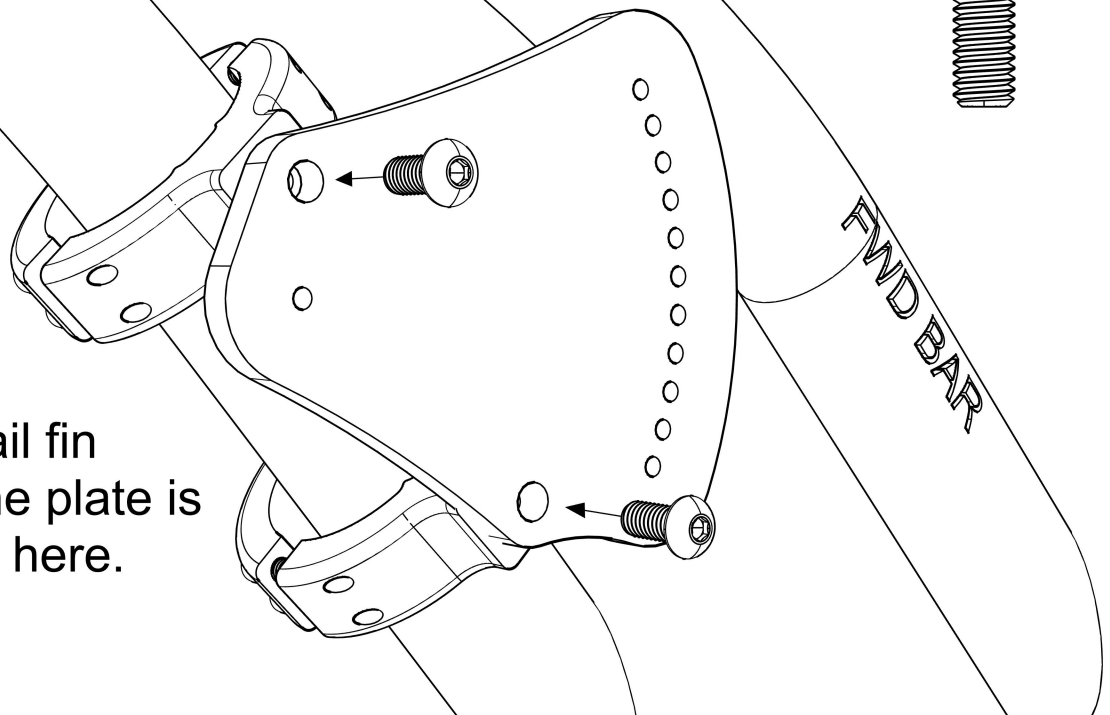
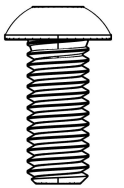
Bolts:  
1/4-20 x 7/8" SHB



Install Clamp just above the FWD bimini mount point on the AFT Bar. Leave slightly loose for future adjustment.

# #2

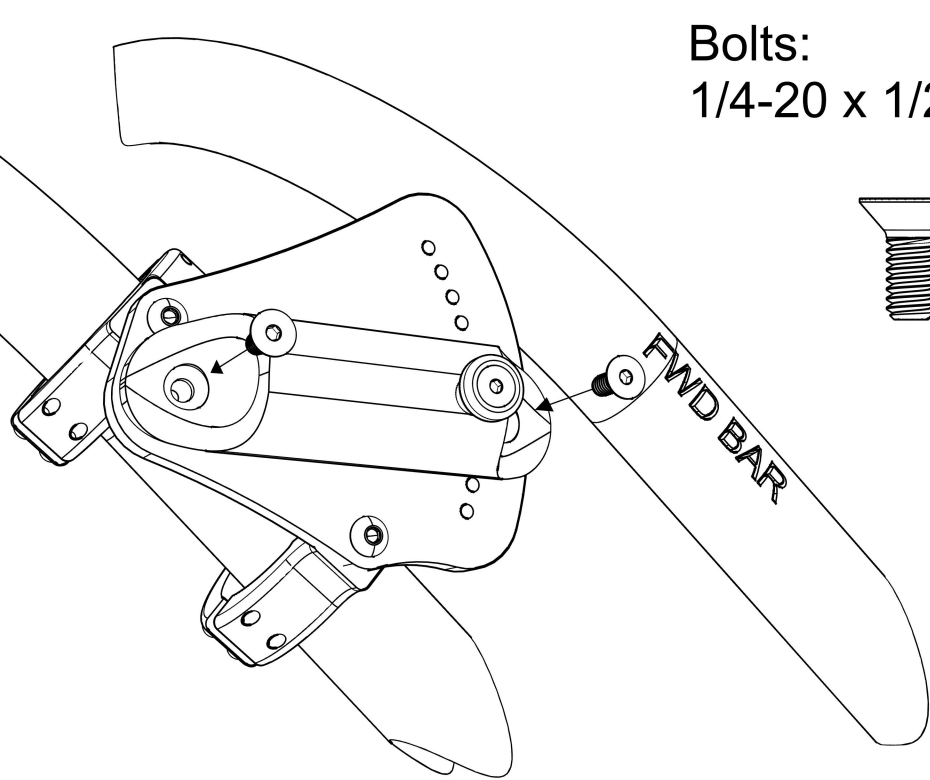
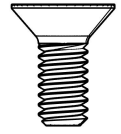
Bolts:  
5/16-18 x 3/4" BHB



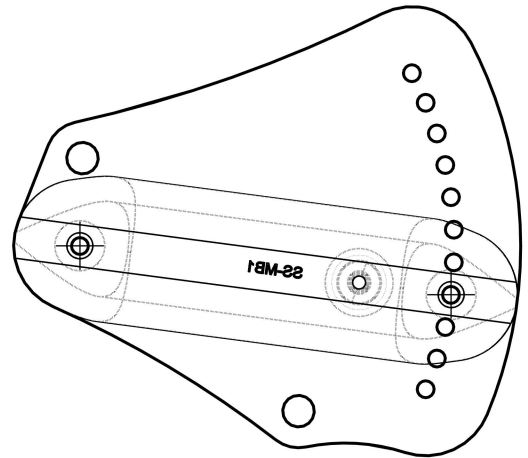
Install the shade sail fin plate. Make sure the plate is oriented, as shown here.

#3

Bolts:  
1/4-20 x 1/2" SFHB



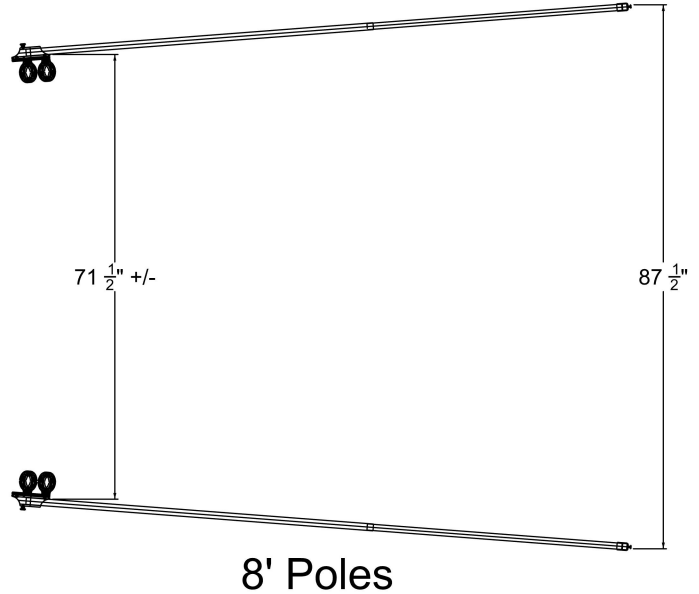
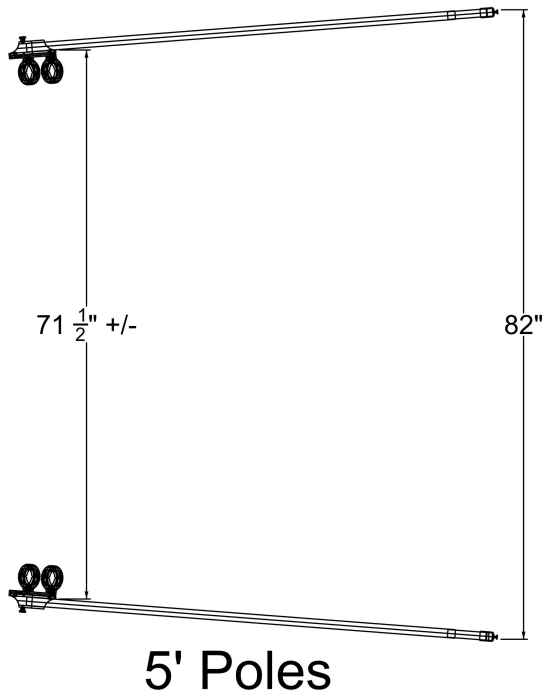
Install shade sail receiving tube. Use the fourth (4) hole from the bottom for the proper angle.



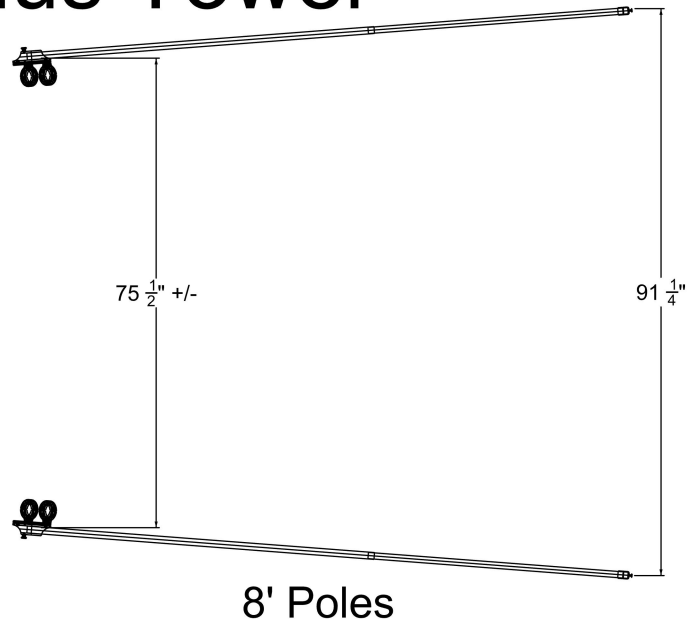
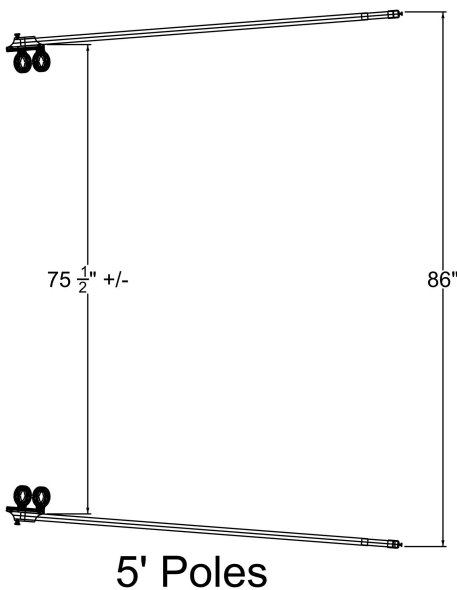
# #4 Adjust The Angle/Width Of The Shade Sail

Once clamps are loosely in place, adjust the width by inserting the carbon pole (fully extended) and rotating the hardware to get the poles' end's correct width.

## STND Maximus Tower



## Wide Maximus Tower



Tighten all bolts and verify that they are tight before each use. If you have any questions, please feel free to call, text, or email.