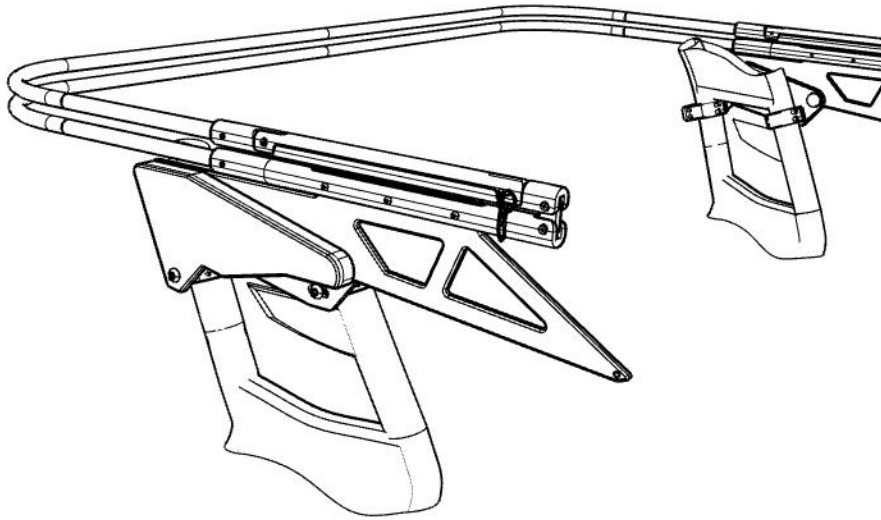


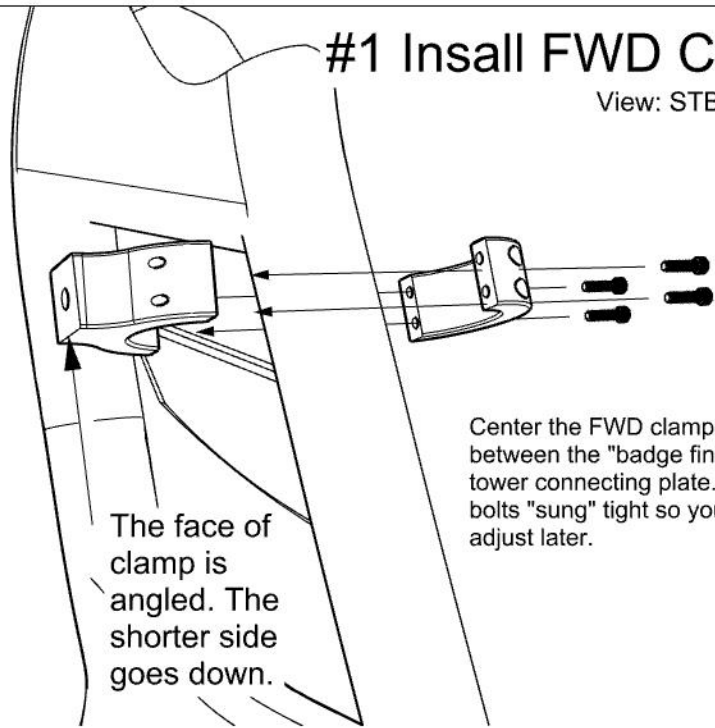
Sewlong QR FCTv3 Nautique G 2019-2021 Hardware Installation



The drawings are for reference only. Our cad team reconstructed the tower, and it's not to scale.

#1 Insall FWD Clamp.

View: STBD Outside

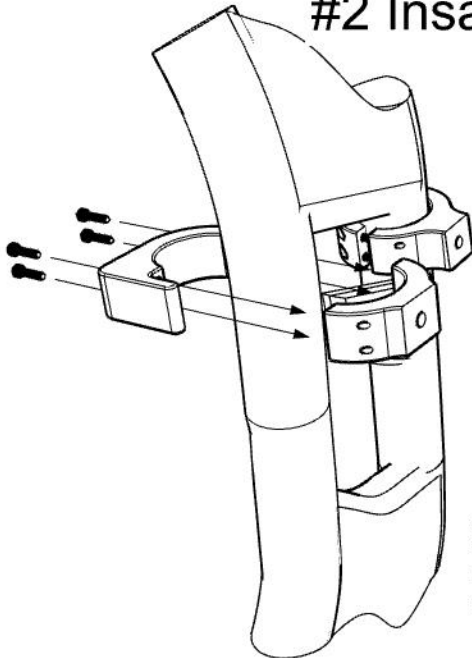


The face of clamp is angled. The shorter side goes down.

Center the FWD clamp evenly between the "badge fin" and the tower connecting plate. Make the bolts "sung" tight so you can adjust later.

#2 Insall AFT Clamp.

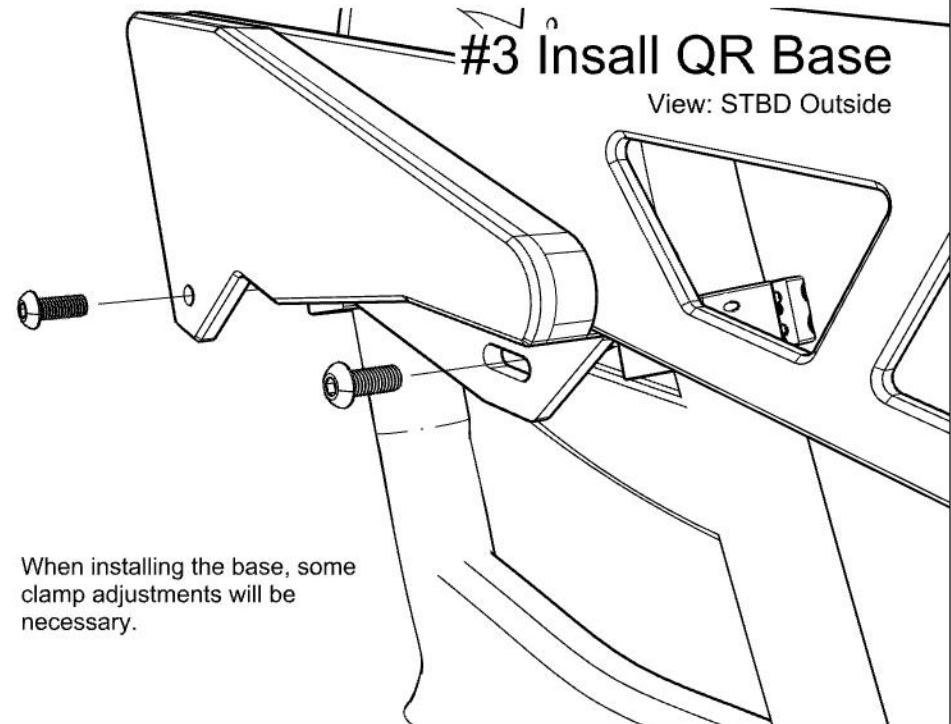
View: Stren STBD Outside



Make the bolts "sung" tight so you can adjust later. Tight enough to hold and not slide but loose enough not to damage paint.

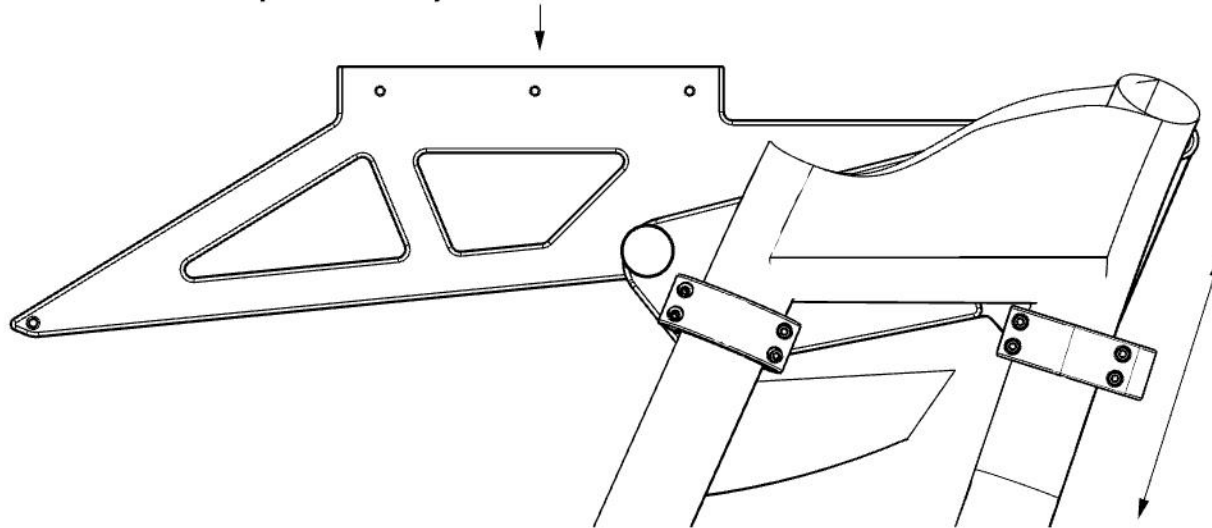
#3 Insall QR Base

View: STBD Outside



When installing the base, some clamp adjustments will be necessary.

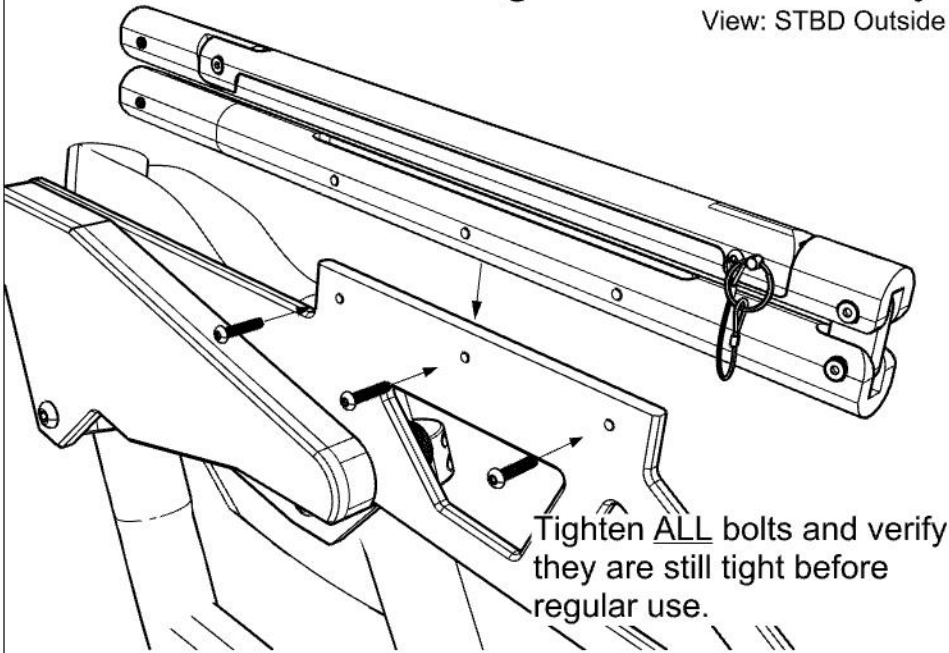
Level the top of the plate with the floor of the boat.



Adjust the back (AFT) clamp up and down to adjust level.

#4 Insall hinge/ tube assembly.

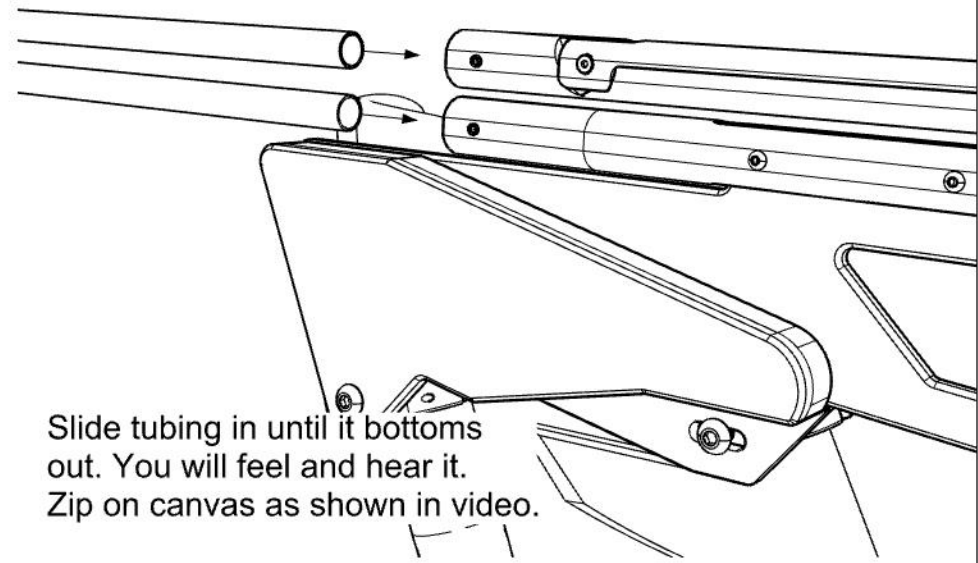
View: STBD Outside



Tighten ALL bolts and verify they are still tight before regular use.

#5 Insall frame work.

View: STBD Outside



Slide tubing in until it bottoms out. You will feel and hear it. Zip on canvas as shown in video.

VIDEO: <https://youtu.be/dPqe5paoKxs>

SEWLONG | COVERS@SEWLONG.COM | 801-262-4017