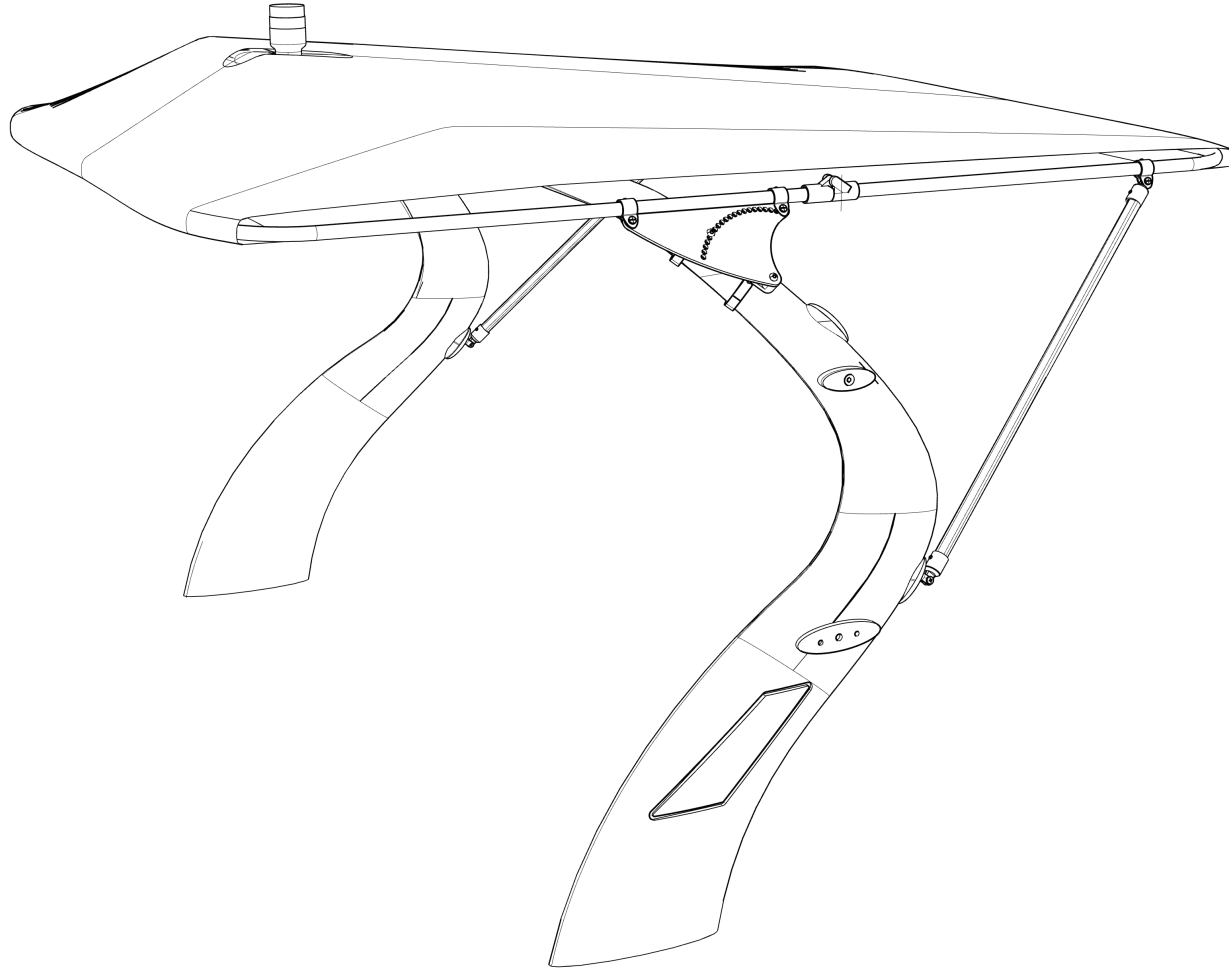


# Gladiator Tower (P-481) Folding Canopy Top Installation



Tighten all bolts and verify that they are tight before each use. If you have any questions, please feel free to call, text, or email.

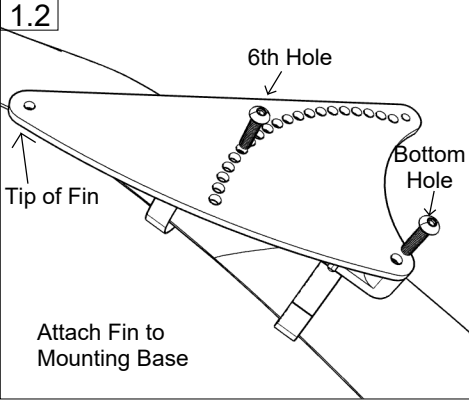
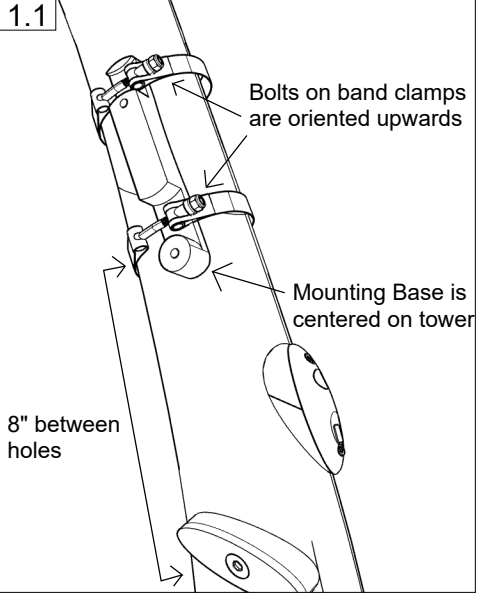
(801)-262-4017 - Text & Call

[covers@sewlong.com](mailto:covers@sewlong.com)

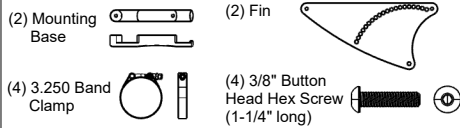


# 1 Install Mounting Base with Band Clamps:

Center the mounting base on the outside of the Gladiator Frame approximately 8" above the Light Mount Hole. Secure in place with band clamps, and orient bolts upward. Bolt the Fin to the Mounting Base with the tip of the fin pointing towards the back of the boat.

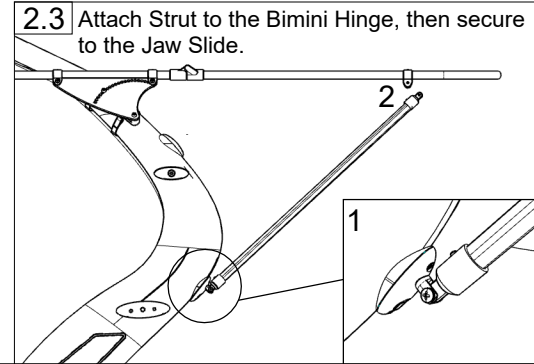
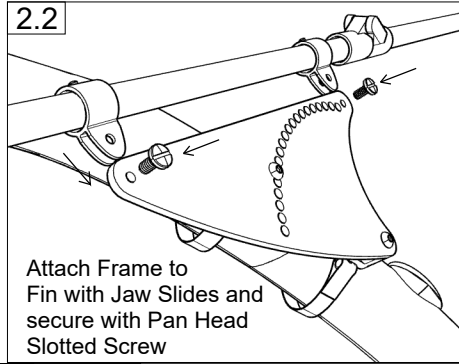
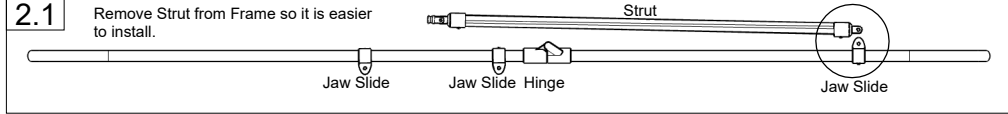


## 1 Parts:

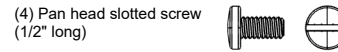


# 2 Secure Frame to Fins with Jaw Slides:

Remove Struts from Frame and loosen set screws in Jaw Slides so they can move freely. Attach the Jaw Slides to the fin, and secure with the Pan Head Slotted Screw. Connect Strut to lower Bimini Hinge on Tower then connect Strut to Jaw Slide on Frame.

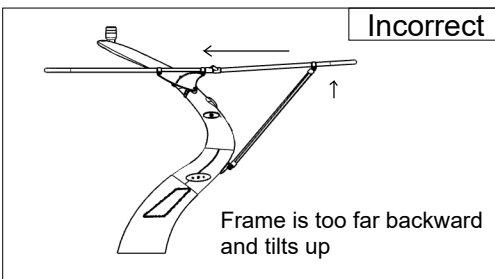
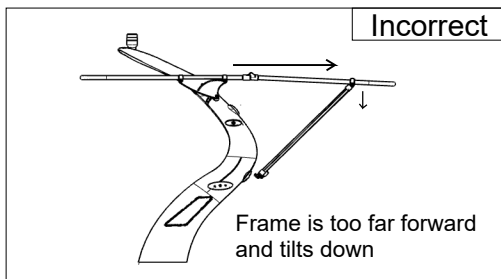
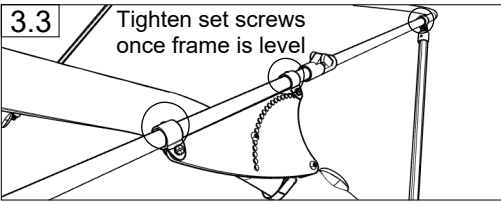
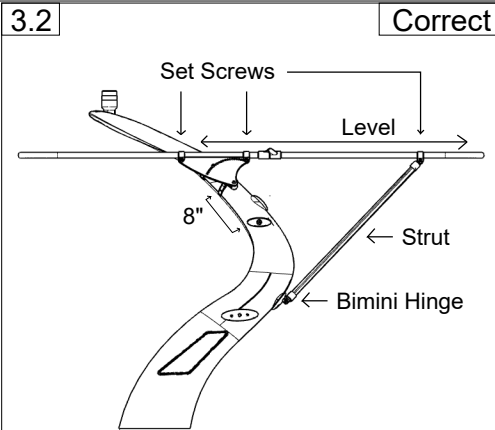
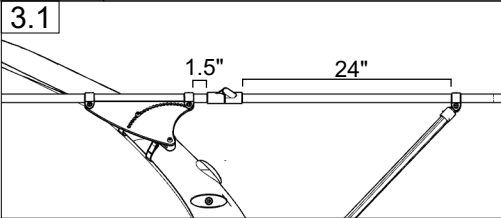


## 2 Parts:



# 3 Adjust Frame:

Move the frame backwards and forwards until it is level. Ensure that the hinge gap is spaced correctly. Band Clamps may need to be loosened so fin can be adjusted in order to achieve level frame. Verify that Mounting Base is 8" above Lighting Mount.



# 4 Install Canvas:

Release Bimini Hinge and fold frame backwards. Zip ends of canvas to frame and fold forward. Secure in place with Bimini Hinge.

