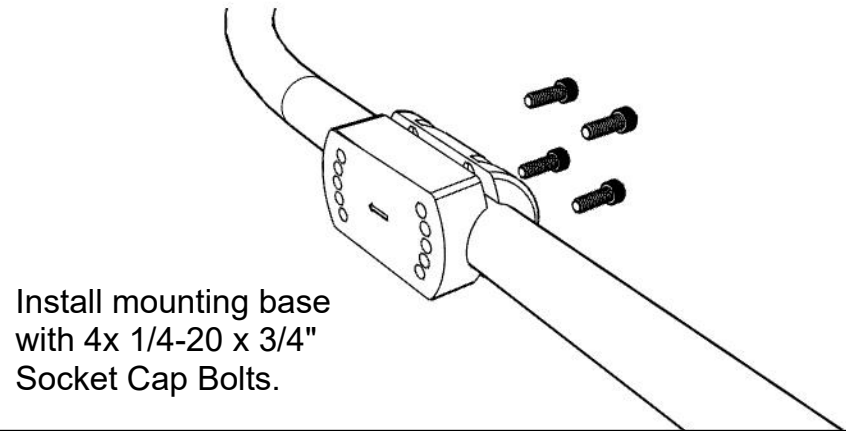
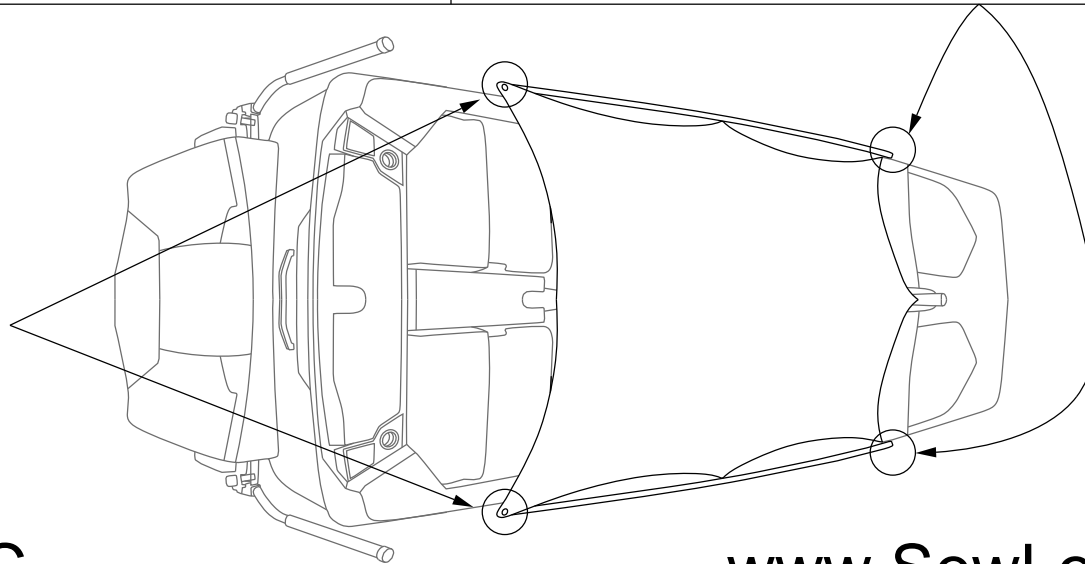
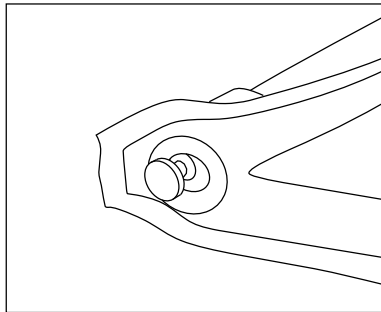
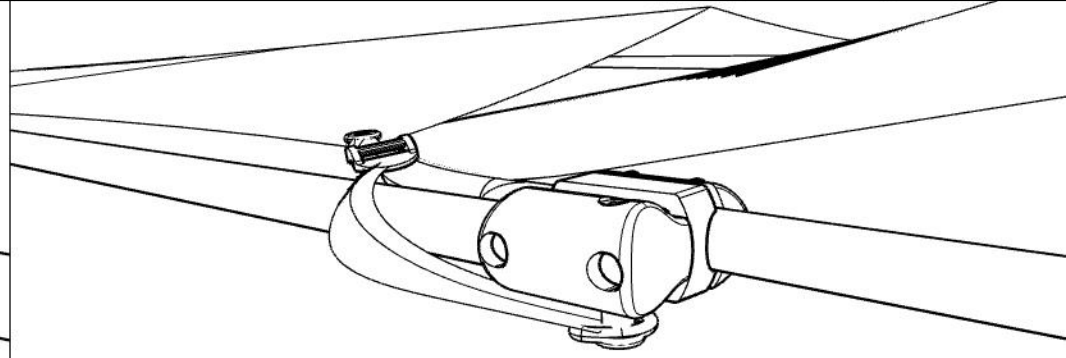
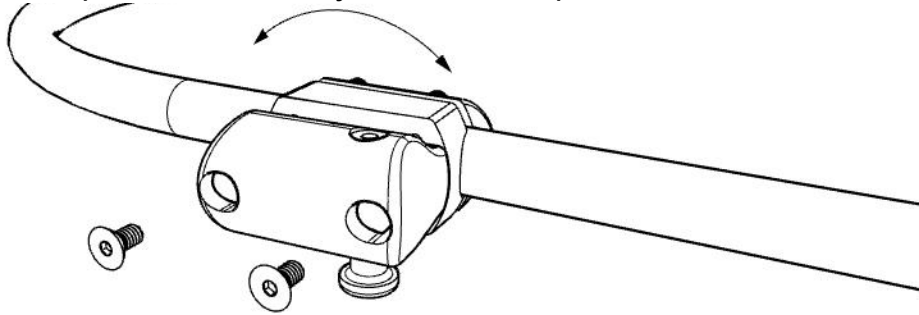


arrow pointing the direction of the extension.



Install mounting base with 4x 1/4-20 x 3/4" Socket Cap Bolts.

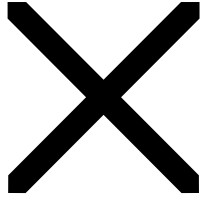
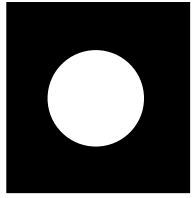
Use hole placement to addjust desired pitch of the Shade Sail.



SewLong LLC
801-262-4017

www.SewLong.com
Covers@SewLong.com

3555 S Main St, Salt Lake City, UT 84115



SEWLONG

Shade Sail Installation - Folding Canopy Top Mounted.

