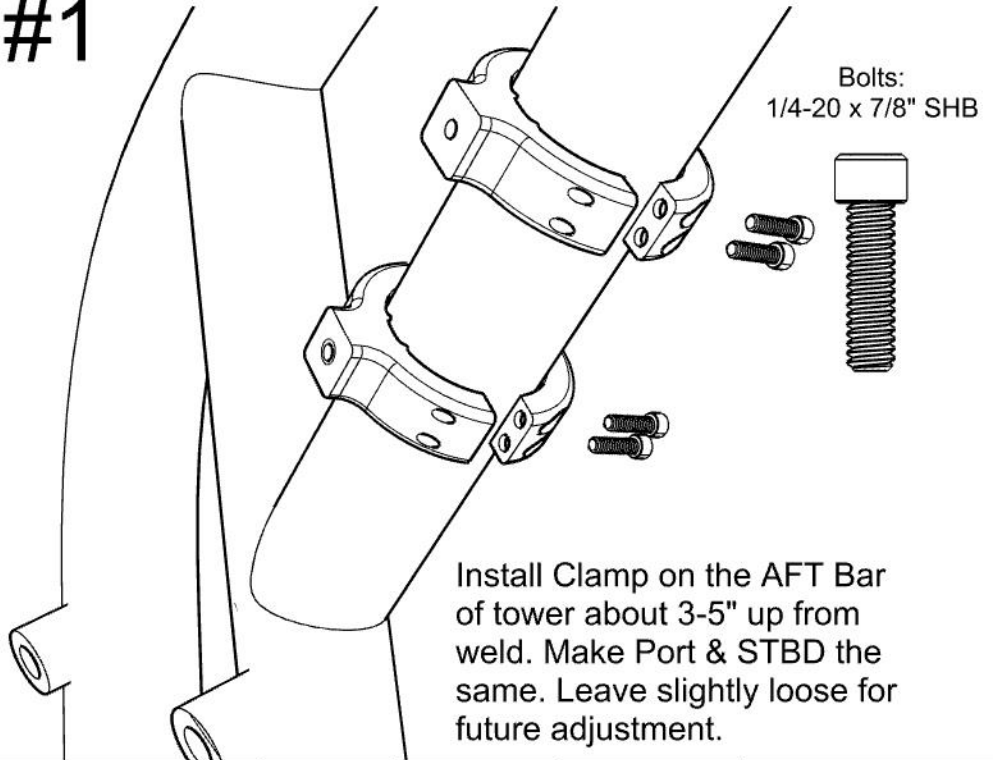


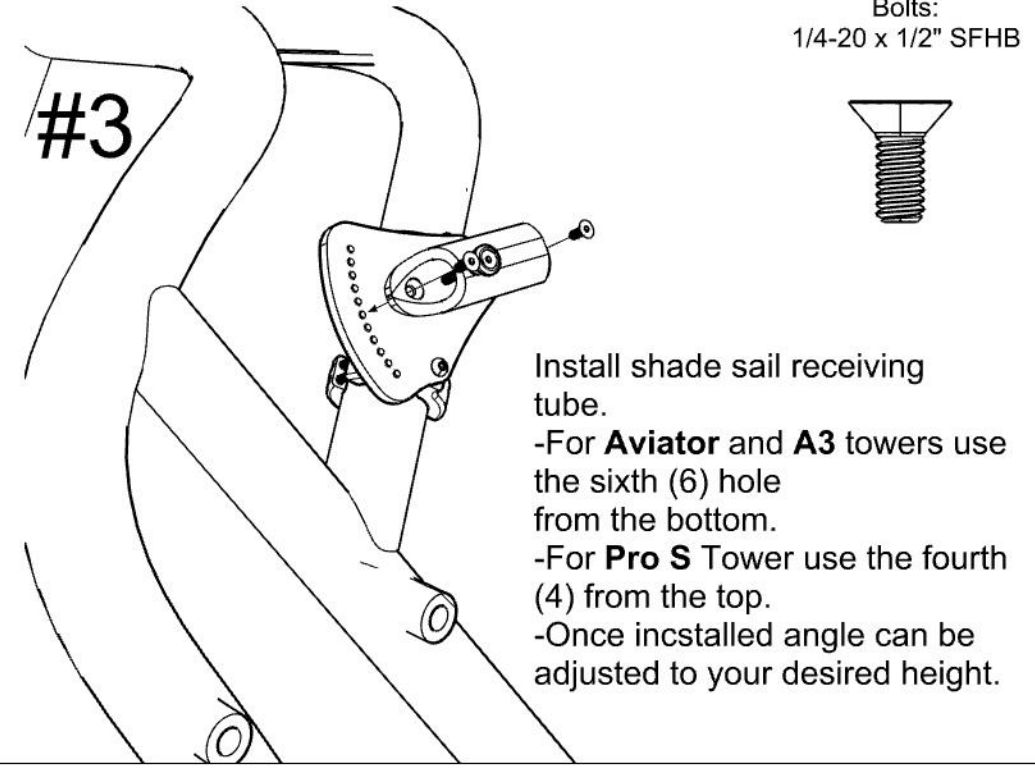
SewLong Tower Clamp Shade Sail Roswell Aviator, A3 & Por S Towers

#1



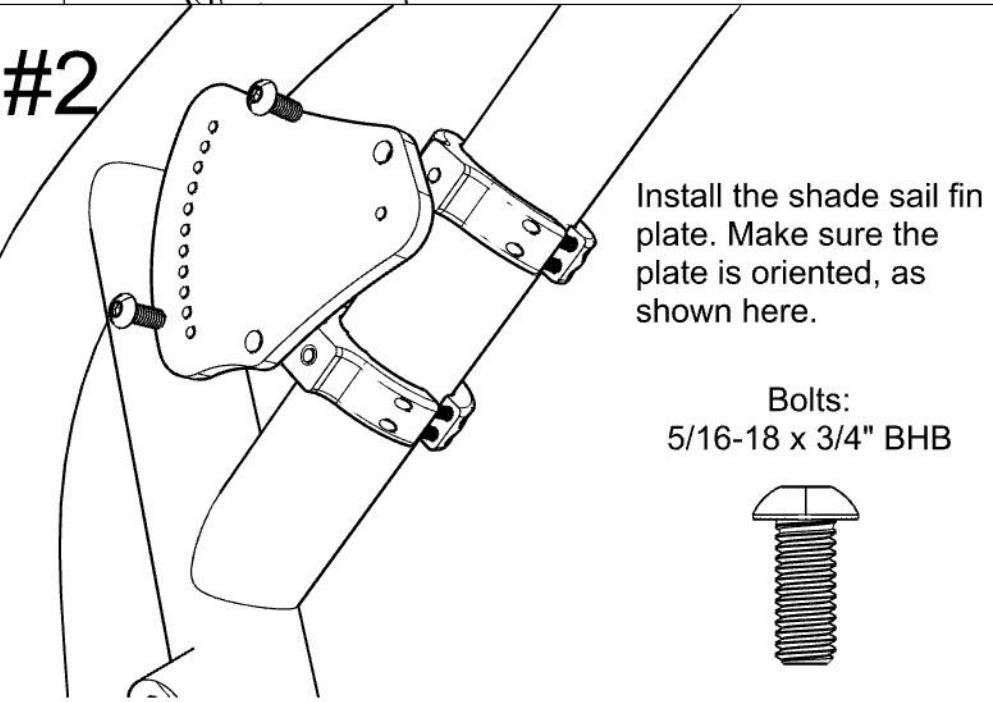
Install Clamp on the AFT Bar of tower about 3-5" up from weld. Make Port & STBD the same. Leave slightly loose for future adjustment.

#3



Install shade sail receiving tube.
-For **Aviator** and **A3** towers use the sixth (6) hole from the bottom.
-For **Pro S** Tower use the fourth (4) from the top.
-Once installed angle can be adjusted to your desired height.

#2



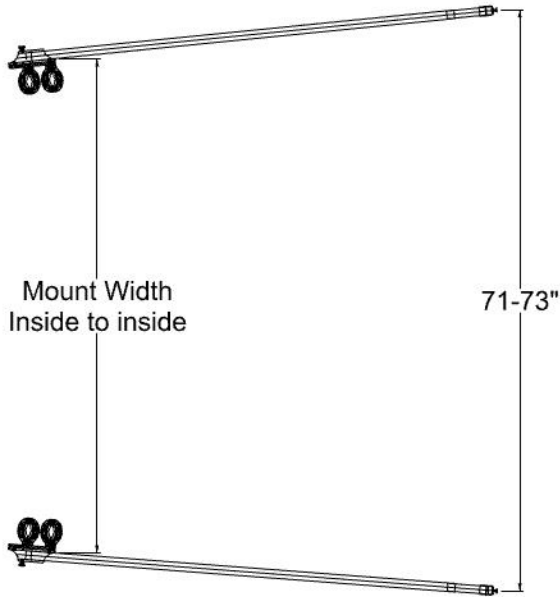
Install the shade sail fin plate. Make sure the plate is oriented, as shown here.



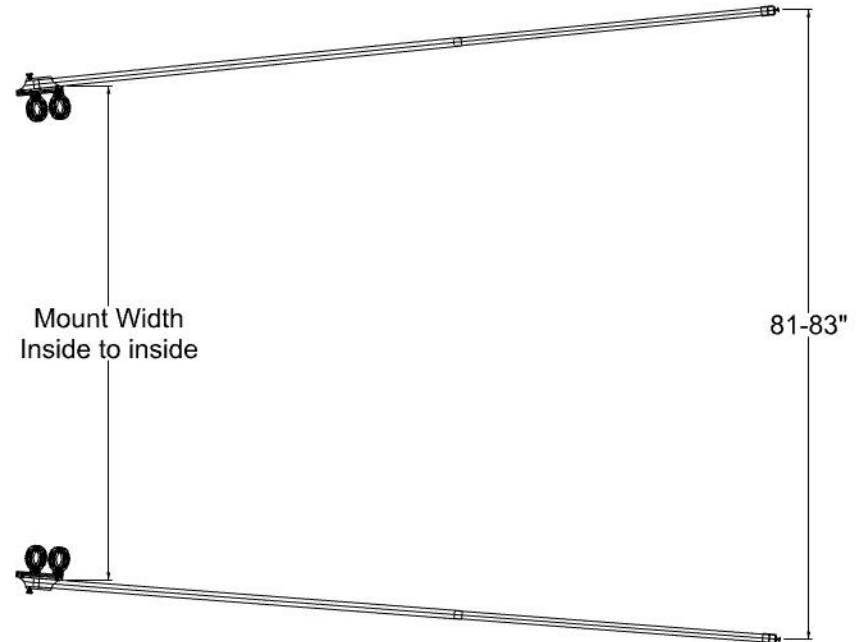
#4 Adjust The Angle/Width Of The Shade Sail

Once clamps are loosely in place, adjust the width by inserting the carbon pole (fully extended) and rotating the hardware to get the poles' end's correct width.
Tighten all bolts and verify that they are tight before each use.

5' Poles Aviator Tower



8' Poles Aviator Tower



When in use the carbon fiber poles are held into place by the tension of the canvas.
Do not leave poles in receiver without the canvas.
If you have any questions, please feel free to call, text, or email.