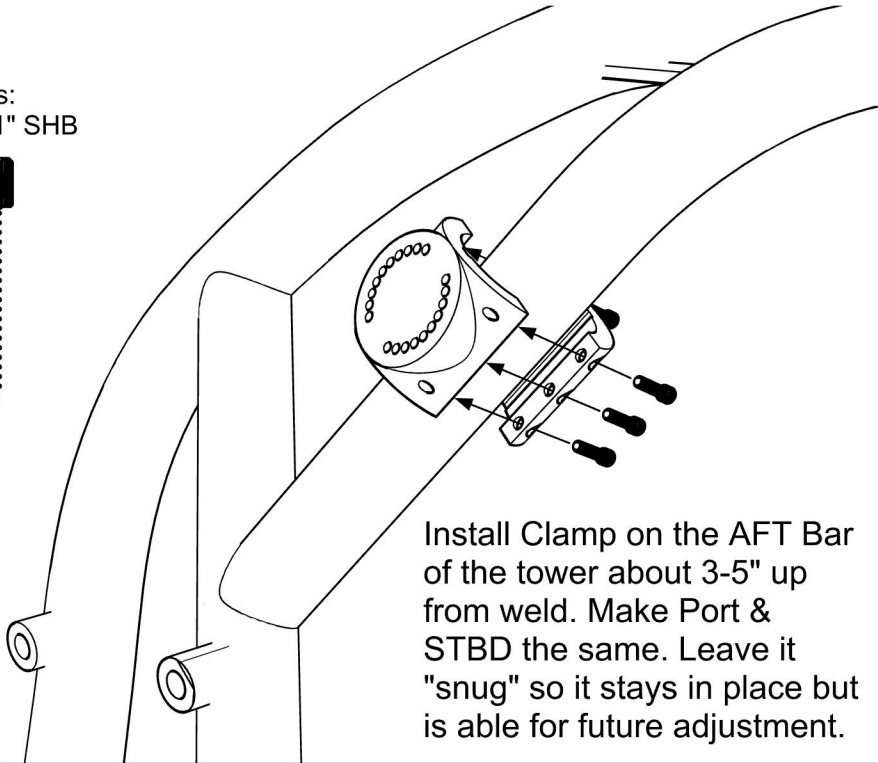


SewLong Tower Clamp Shade Sail Roswell Aviator, A3 & Por S Towers

#1

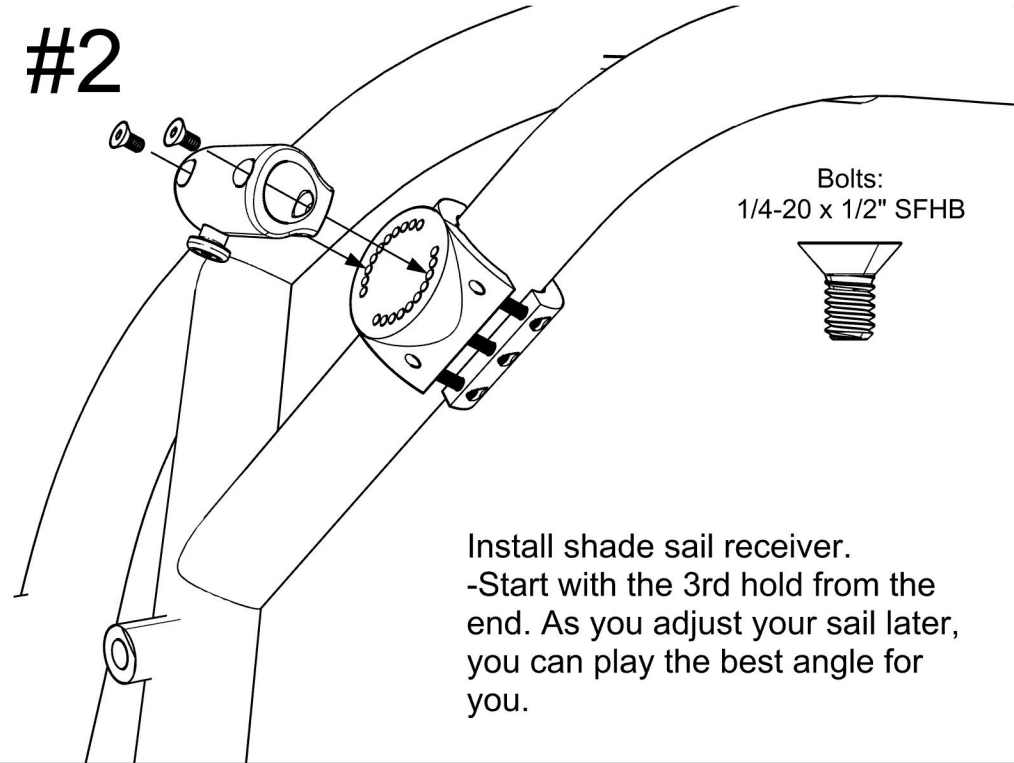
Bolts:
1/4-20 x 1" SHB



Install Clamp on the AFT Bar of the tower about 3-5" up from weld. Make Port & STBD the same. Leave it "snug" so it stays in place but is able for future adjustment.

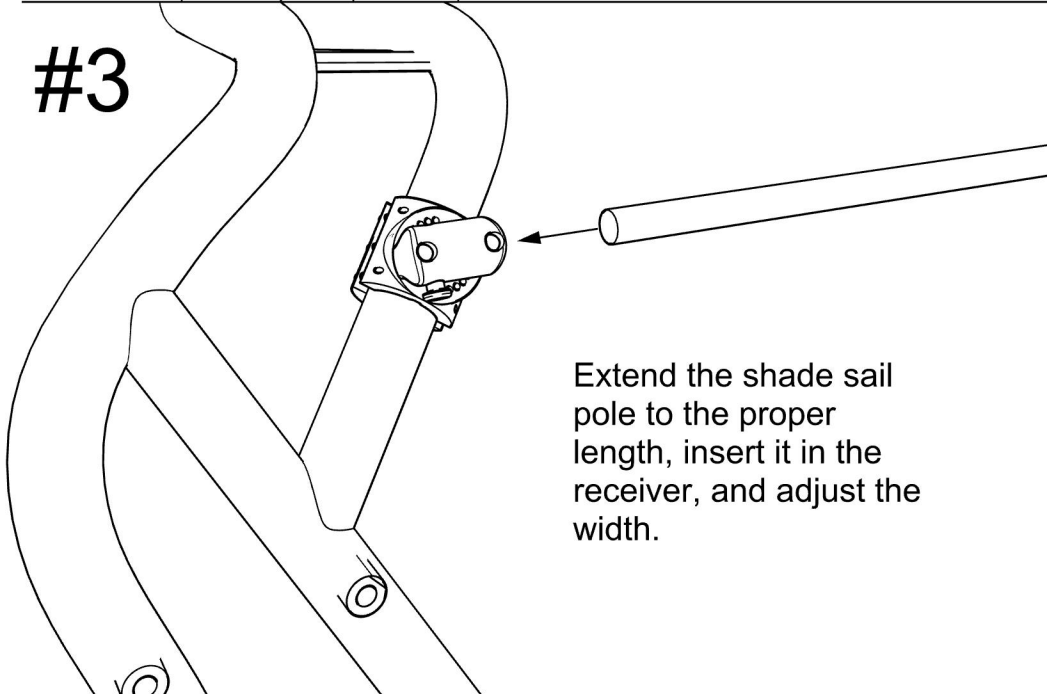
#2

Bolts:
1/4-20 x 1/2" SFHB



Install shade sail receiver.
-Start with the 3rd hold from the end. As you adjust your sail later, you can play the best angle for you.

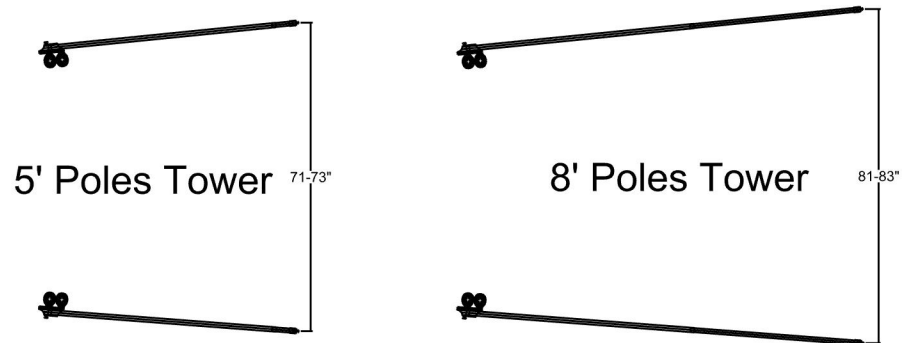
#3



Extend the shade sail pole to the proper length, insert it in the receiver, and adjust the width.

#4 Adjust The Angle/Width Of The Shade Sail

Once clamps are loosely in place, adjust the width by inserting the carbon pole (fully extended) and rotating the hardware to get the poles' end's correct width. Tighten all bolts and verify that they are tight before each use.



When in use the carbon fiber poles are held into place by the tension of the canvas. Do not leave poles in receiver without the canvas.

If you have any questions, please feel free to call, text, or email.