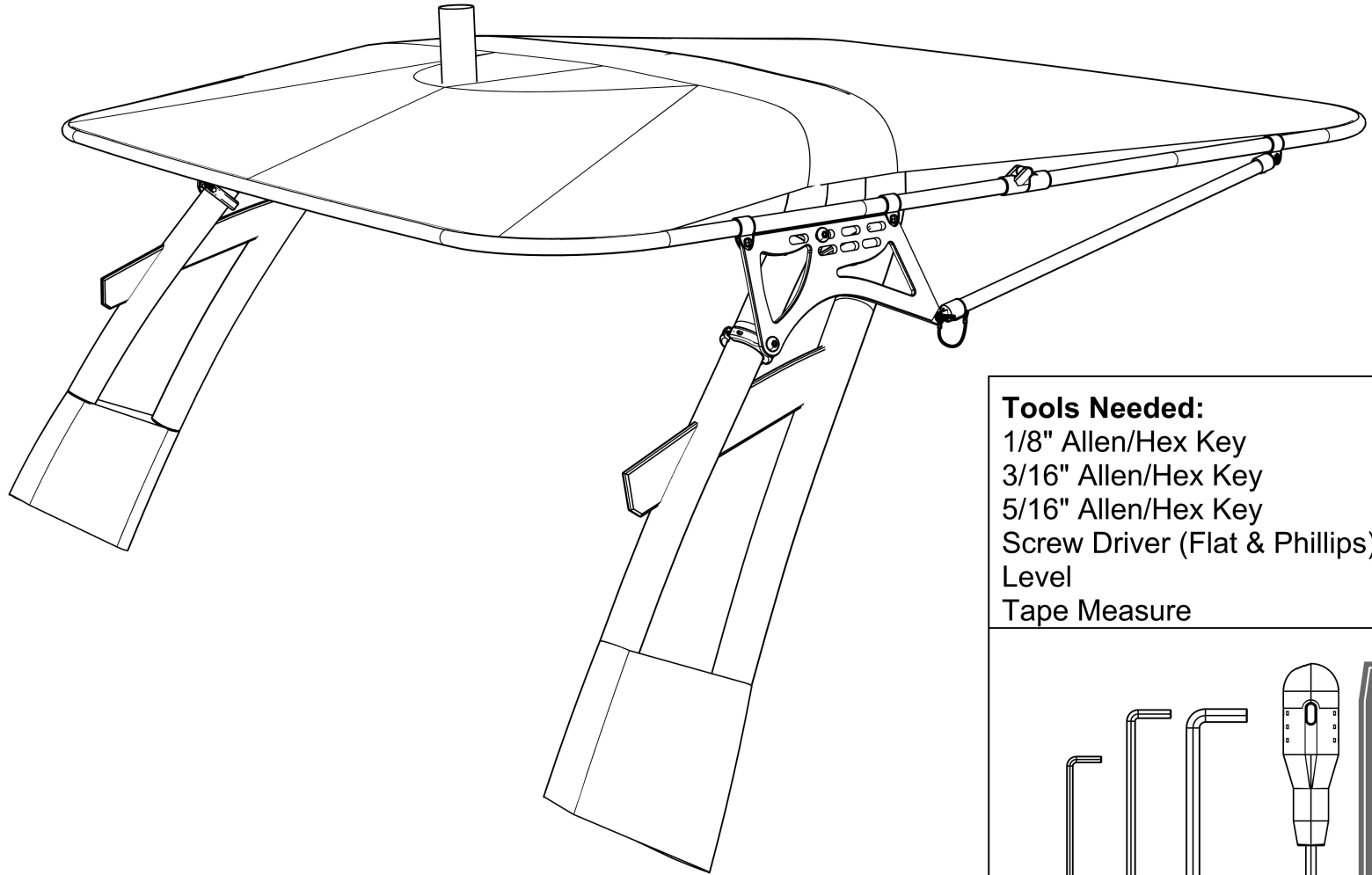
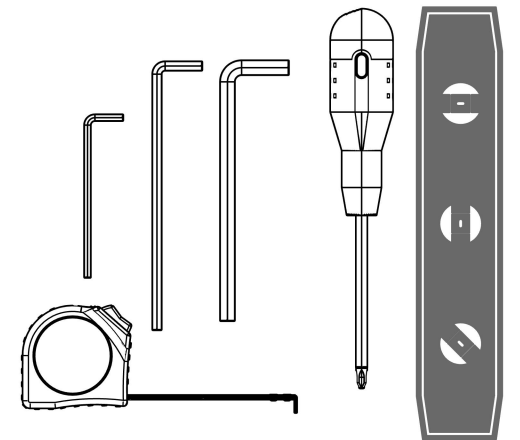


# FCT Installation on Pro S Tower



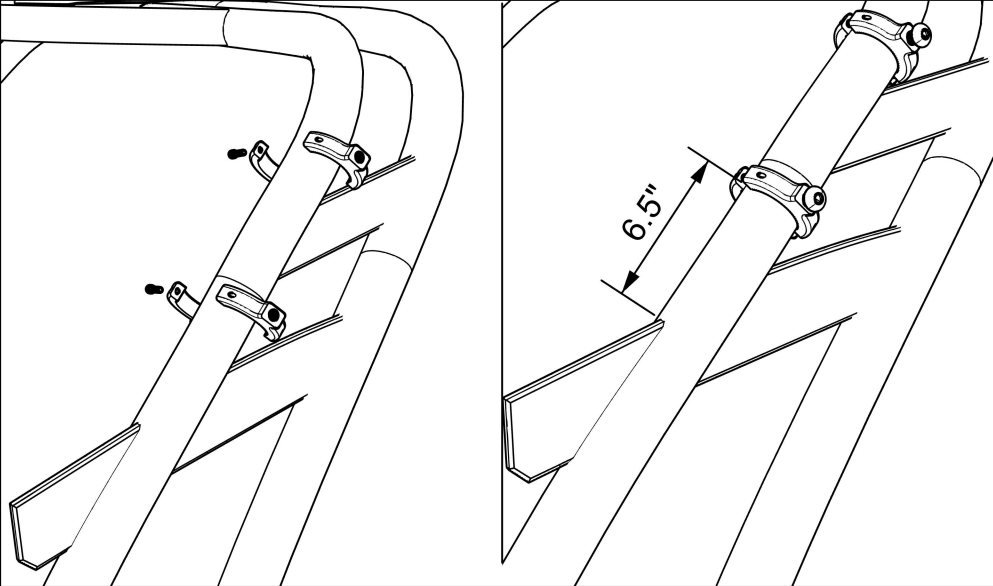
## Tools Needed:

1/8" Allen/Hex Key  
3/16" Allen/Hex Key  
5/16" Allen/Hex Key  
Screw Driver (Flat & Phillips)  
Level  
Tape Measure



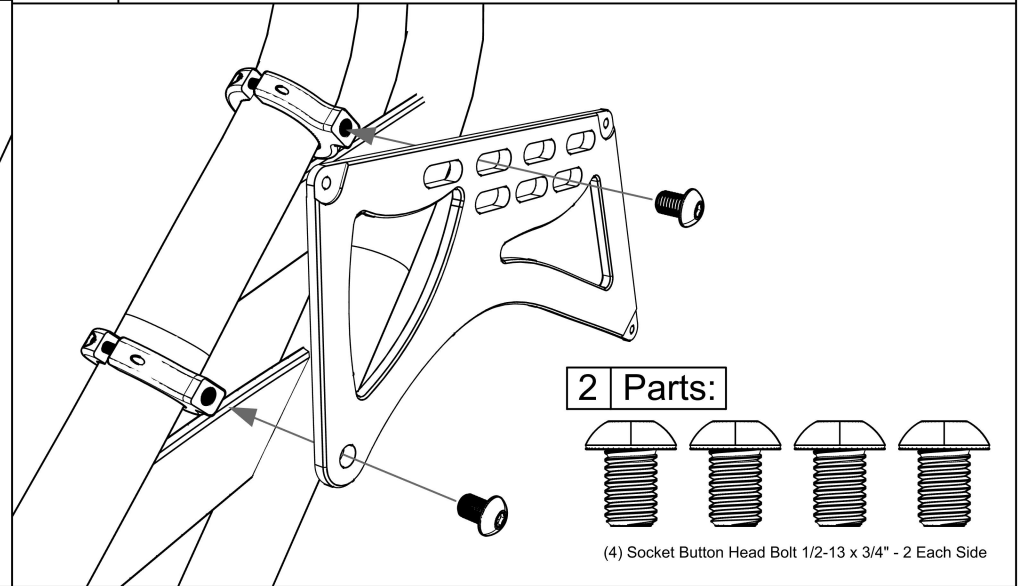
# 1 Install Clamps:

Install the clamps on the back tube of the tower—slightly snug bolts to hold it in place and allow further adjustment. Be careful not to scratch the paint. The bottom clamp placement is 6.5" up from the weld, as shown below. To help level the top, make sure this measurement is the same on both sides.



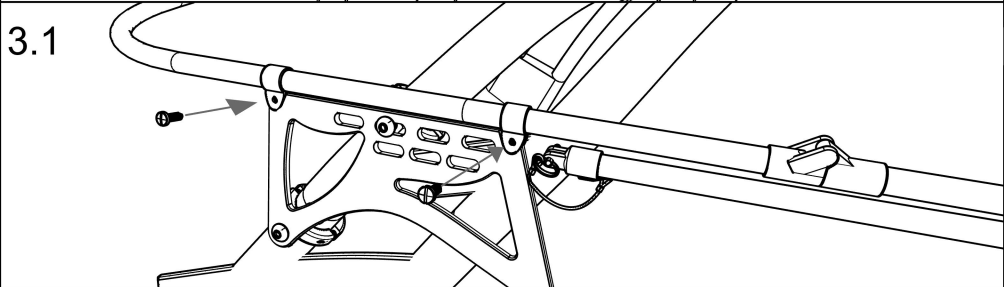
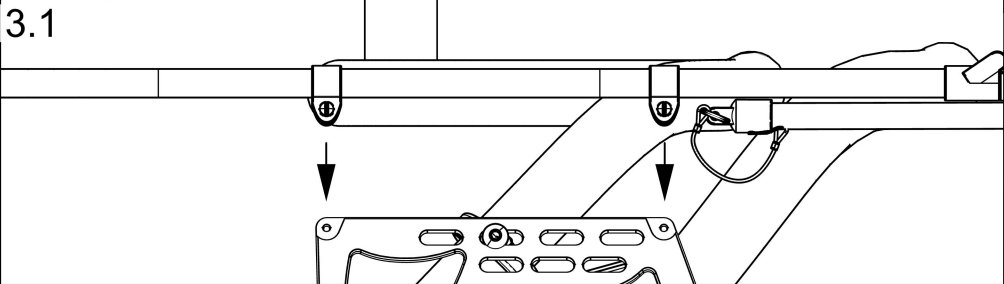
# 2 Attach Mount Plate to Clamps:

Using the 1/2-13 Socket button head bolts, install the mounting plate using the holes as shown. The top slot will give you some adjustability to level the top of the plate with the boat's cockpit floor. Once mounting plates are mounted on both sides, adjust the mount plates to be parallel and straight front to back.



# 3 Attach Frame to Mount Plate:

On the back half of the frame, loosen the jaw slides by slightly untightening the four hex head set screws. Remove the flathead/phillips 1/4-20 screws from the jaw slides. Place the jaw slides into the indentations on the bracket (3.1). Place the screws 1/4-20 screws back through the jaw slide and screw them into place (3.2).



# 4 Adjust Hinge Gap & Install Canvas:

Adjust the gap between the hinge and the jaw slide to 9.5" and tighten the four hex head set screws (on the jaw slides) to keep it in place (4.1). Fit the canvas around the edge of the frame and zip it into place (4.2). Once the canvas is secured, open the top to the extended position. Secure the strut to the brace with the pull pin. Straighten and level the frame side to side (4.3). Tighten ALL bolts and screws. (4.4)

